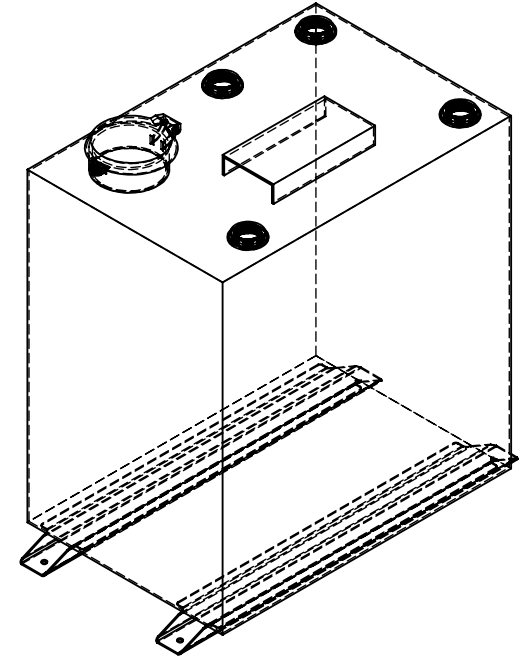
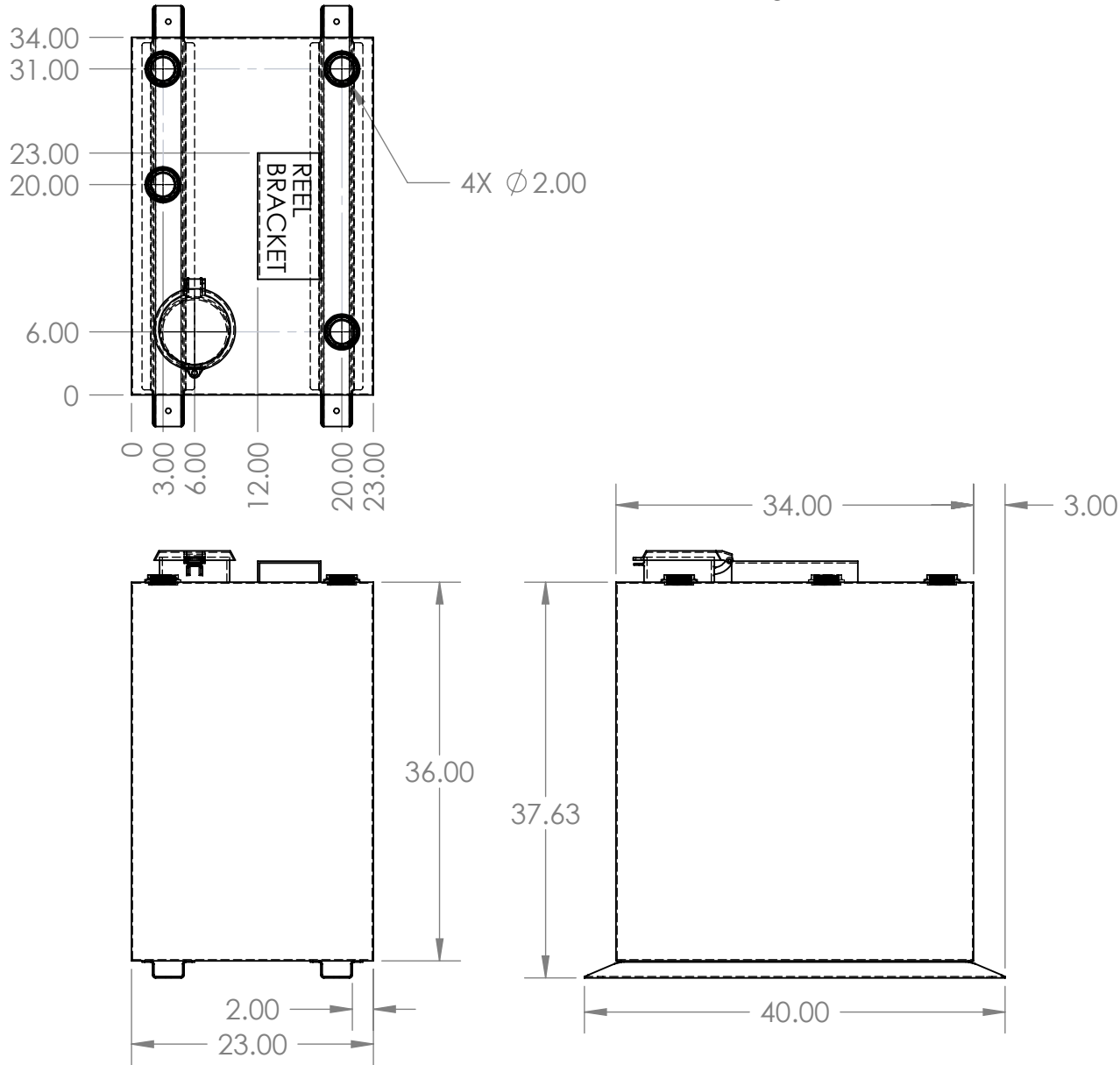


120 GALLON SINGLE WALL TANK

23"x34"x37.5x12Gauge Mild Steel



- (1) 6" Hatch
 - (4) 2" FNPT
 - (1) 6" x 12" Reel Mount Bracket
 - (2) Extended Tank Support
- Tank Factory Tested at 3 PSI
Powder Coat Finish
UL142, File # MH14783
1 Year Warranty on Material and Workmanship
*No provision for Lost Product or Business

PROPRIETARY AND CONFIDENTIAL



11212A McCormick Road
Hunt Valley, MD 21031

THE INFORMATION CONTAINED IN THIS DRAWING IS THE SOLE PROPERTY OF SUPERIOR STORAGE TANKS. ANY REPRODUCTION IN PART OR AS A WHOLE WITHOUT THE WRITTEN PERMISSION OF SUPERIOR STORAGE TANKS IS PROHIBITED.

Gallons	MATERIAL	SIZE	NAME:	
120	12ga. Mild Steel A-36	C	120B	
Label				
UL-142 Secondary Containment	Unless Otherwise Noted	WEIGHT: 235 lbs.	SCALE: 1:16	DATE: 10/16/2015
				SHEET 1 OF 1