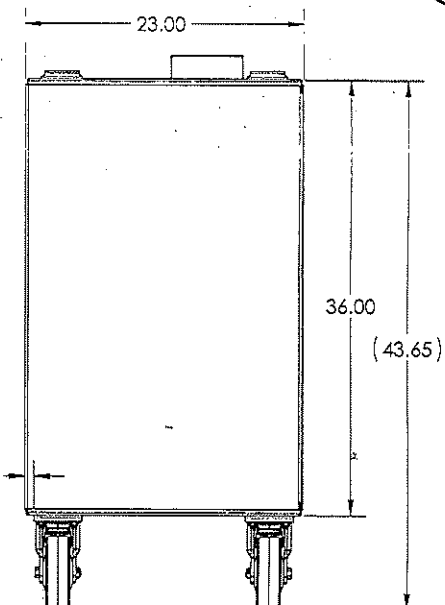
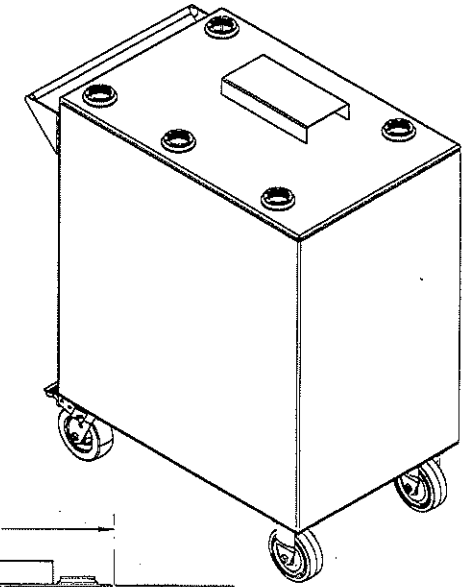
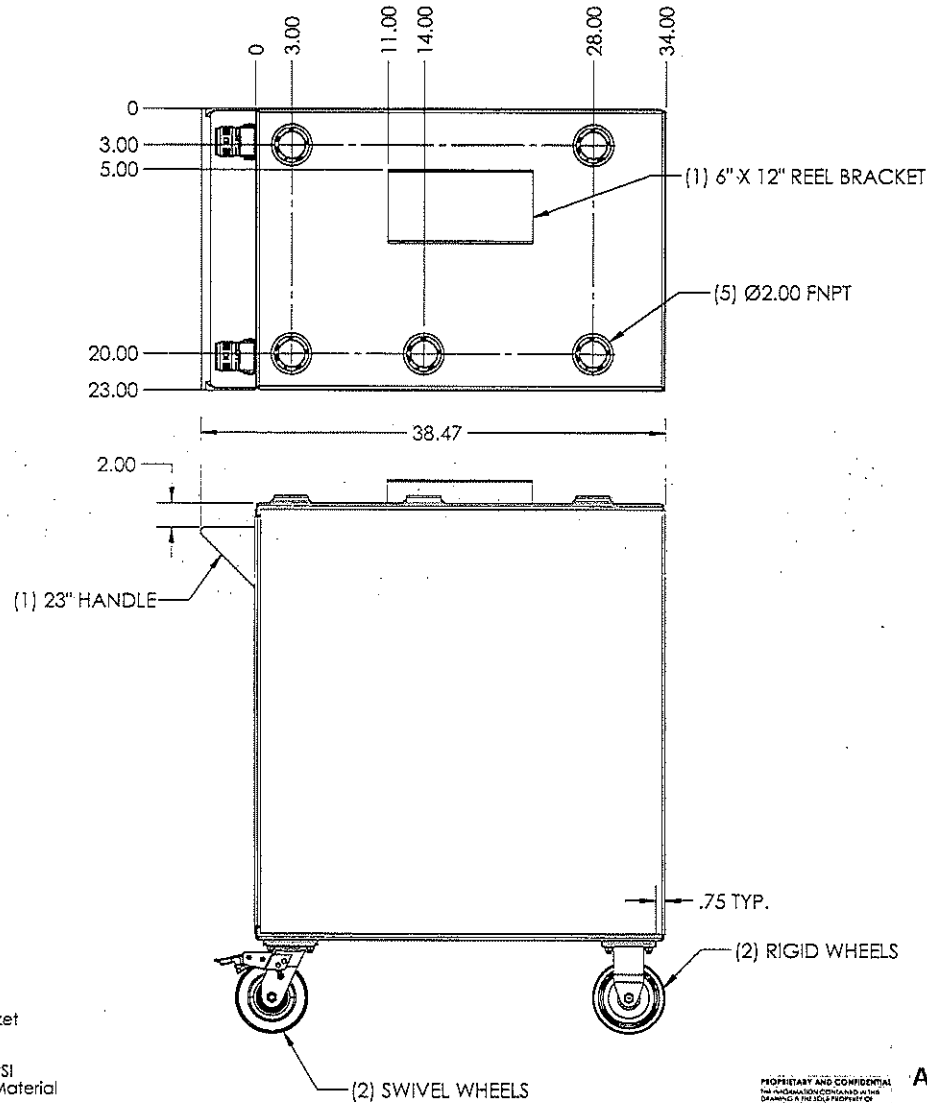


120 GALLON SINGLE WALL PUSH CART  
34.00" X 23.00" X 36.00"



- (5) 2" FNPT
- (1) 6" x 12" Reel Bracket
- (2) Swivel Wheel
- (2) Rigid Wheel
- Factory Tested at 3 PSI
- 1 Year Warranty on Material and Workmanship

\*No provision for Lost Product or Business

PROPRIETARY AND CONFIDENTIAL  
ALL INFORMATION CONTAINED HEREIN IS THE PROPERTY OF  
AMERICAN LUBRICATION AND IS TO BE USED ONLY FOR THE  
PURPOSES OF THE SPECIFIC PROJECT AND NOT TO BE REPRODUCED OR  
TRANSMITTED IN ANY FORM OR BY ANY MEANS, ELECTRONIC OR  
MECHANICAL, INCLUDING PHOTOCOPYING, RECORDING, OR BY ANY  
INFORMATION STORAGE AND RETRIEVAL SYSTEM.

American Lubrication  
Equipment Corp.

120BC

GALLON	MATERIAL	SIZE	120	12 Co	B	120 GALLON SINGLE WALL PUSH CART
Label	C.S. A36					34.00" X 23.00" X 36.00"
UL-142	Secondary Containment	DATE	1/19/2023	FILE NO:	2702-1001	WEIGHT:
						250 lbs. SCALE: 1:10 SHEET 1 OF 1