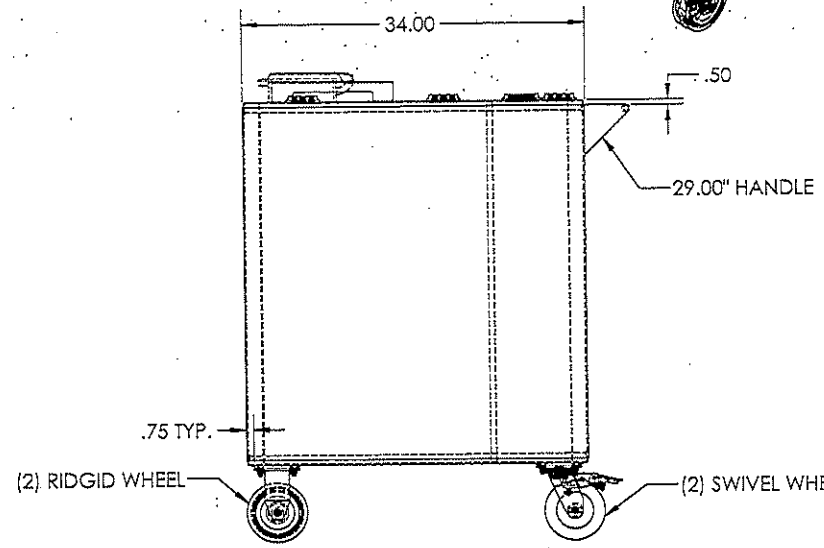
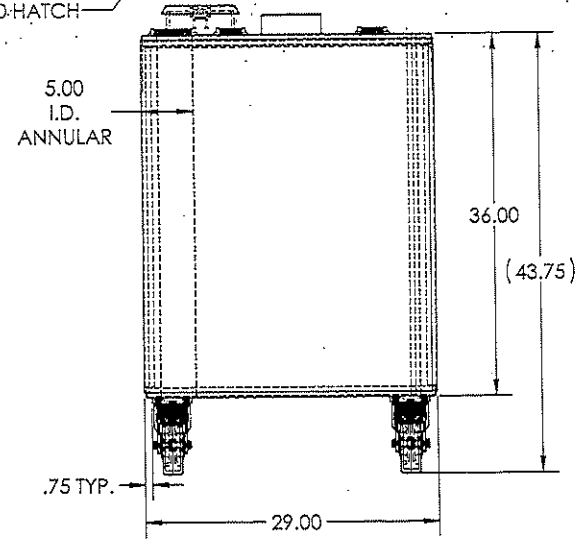
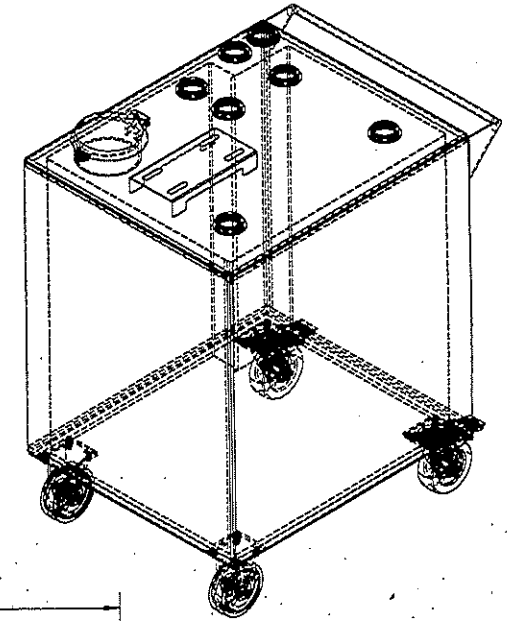
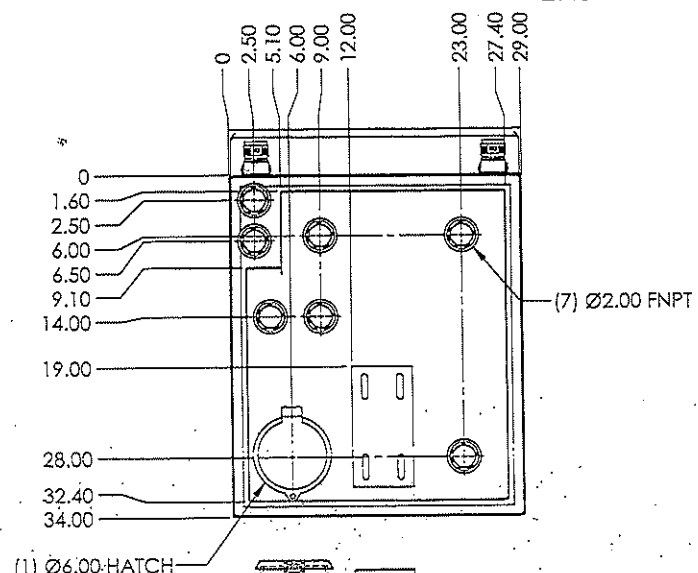


120 GALLON DOUBLE WALL PUSH CART
SINGLE COMPARTMENT
29.0" X 34.0" X 36.0"



- (2) Swivel Wheel
- (2) Ridgid Wheel
- (1) 6" Hatch in Primary
- (5) 2" FNPT in Primary
- (2) 2" FNPT in Secondary
- (1) 29.00" Handle
- Powder Coat 'White'
- Powder Coat Finish
- Factory Tested at 3 PSI
- 1 Year Warranty on Material and Workmanship
- *No provision for Lost Product or Business

PROPRIETARY AND CONFIDENTIAL
THE INFORMATION CONTAINED HEREIN IS THE SOLE PROPERTY OF AMERICAN LUBRICATION EQUIPMENT CORP. AND IS TO BE USED ONLY FOR THE PURPOSES SPECIFIED HEREIN. ALL RIGHTS ARE RESERVED.

American Lubrication
Equipment Corp.

120BCDW

GALLON 120 Label	MATERIAL 12 Ga C.S. A36	SIZE B	120 GALLON DOUBLE WALL PUSH CAR SINGLE COMPARTMENT
UL-142 Secondary Component	UL-142 Secondary Component	FILE# MH14783 DATE 3/1/2023	FILE NO: 2701-1006 WEIGHT: 363.89 lbs. SCALE: 1:12 SHEET 1 OF 1