

OPERATOR'S MANUAL

INCLUDING: OPERATION, INSTALLATION & MAINTENANCE

635392

635399

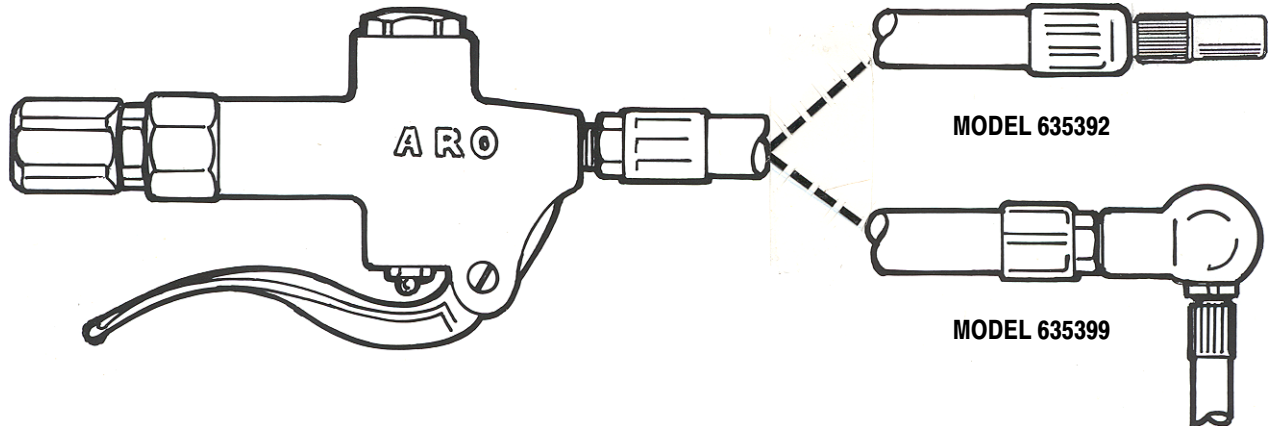
RELEASED: 3-2-64
REVISED: 3-9-06
(REV. M)

63539X CONTROL HANDLE



**READ THIS MANUAL CAREFULLY BEFORE INSTALLING,
OPERATING OR SERVICING THIS EQUIPMENT.**

It is the responsibility of the employer to place this information in the hands of the operator. Keep for future reference.



ALSO COVERS 61130 SERVICE KIT

WARNING: HIGH PRESSURE DEVICE

- **IMPROPER USAGE OF EQUIPMENT COULD RESULT IN SERIOUS INJURY. THE POSSIBILITY OF INJECTION INTO THE FLESH IS A POTENTIAL HAZARD. NEVER ALLOW ANY PART OF THE HUMAN BODY TO COME IN FRONT OF OR IN DIRECT CONTACT WITH THE MATERIAL OUTLET.**
- **AN INJECTION INJURY CAN BE SERIOUS! IF INJECTION SHOULD OCCUR, CONTACT A QUALIFIED PHYSICIAN FOR IMMEDIATE TREATMENT OF SUCH INJURIES.**
- **DO NOT EXCEED MAXIMUM WORKING PRESSURE OF 1000 P.S.I. (69 BAR).**

PARTS LIST

Item	Description (size)	Qty	Part No.
1	Nozzle and Hose Assembly (635392)	(1)	629239
	Nozzle and Hose Assembly (635399)	(1)	629240
✓ 2	Seal Asm (Stem) (includes items 3 thru 5)	(1)	61142
3	Pin	(1)	Y178-21
4	Seal	(1)	61080
5	Valve Stem	(1)	76846
✓ 6	Cap Nut	(1)	76847
✓ 7	Gasket	(1)	F21-42
✓ 8	Spring	(1)	76850
9	Spring	(1)	71269
10	Filter	(1)	71268
11	Valve (Body)	(1)	73755
12	Swivel (includes items 13 thru 18)	(1)	60543

Item	Description (size)	Qty	Part No.
13	Washer	(2)	75747
14	Adapter	(1)	77926
15	Gasket	(1)	F21-37
16	"O" Ring (3/32" x 3/4" o.d.)	(1)	Y325-113
17	Back-Up Ring	(1)	72469
18	Insert	(1)	77927
✓ 19	Gasket	(1)	73750
✓ 20	Packing	(1)	Y186-43
21	Pin	(1)	2600
22	Gland	(1)	73752
23	Trigger	(1)	2585
✓	Service Kit		61130

OPERATION

Disconnect pump power source and relieve all pressure from system when in use.

1. Do not drop or leave control handle on floor.
2. Be sure non-drip nozzle is fully open before actuating handle. If non-drip tip is not fully open control handle will not shut off. Close completely after dispensing to prevent leakage. Holding the control handle so that the non-drip nozzle is pointed downward, turn counter-clockwise to close and clockwise to open.

MAINTENANCE

- Should no lubricant be dispensed even though (23) handle is operated, be sure non-drip nozzle is open and that lubricant is being supplied to control handle. Also be sure that (5) valve stem is being moved by the handle.
- Should lubricant leak under handle, remove handle and tighten (22) gland. If this does not stop leak, remove gland and replace (20) packing or (19) gasket.
- **NOTE:** It may be necessary to remove the (6) cap nut and then remove (5) valve stem in order to remove the packing and gasket.
- Should lubricant flow from control handle even though trigger is not depressed, remove (6) cap nut and (5) valve stem. Check for dirt or foreign matter which may be preventing valve from properly seating, also check the rubber seat of the valve assembly for seal. Replace (4) seal assembly if rubber is pitted or torn.
- **NOTE:** A small amount of lubricant will leak from the control handle after it has been used and the trigger released. This is because this lubricant is already past the non-drip valve seat. The non-drip nozzle should be closed after each use to prevent this.

PARTS LIST

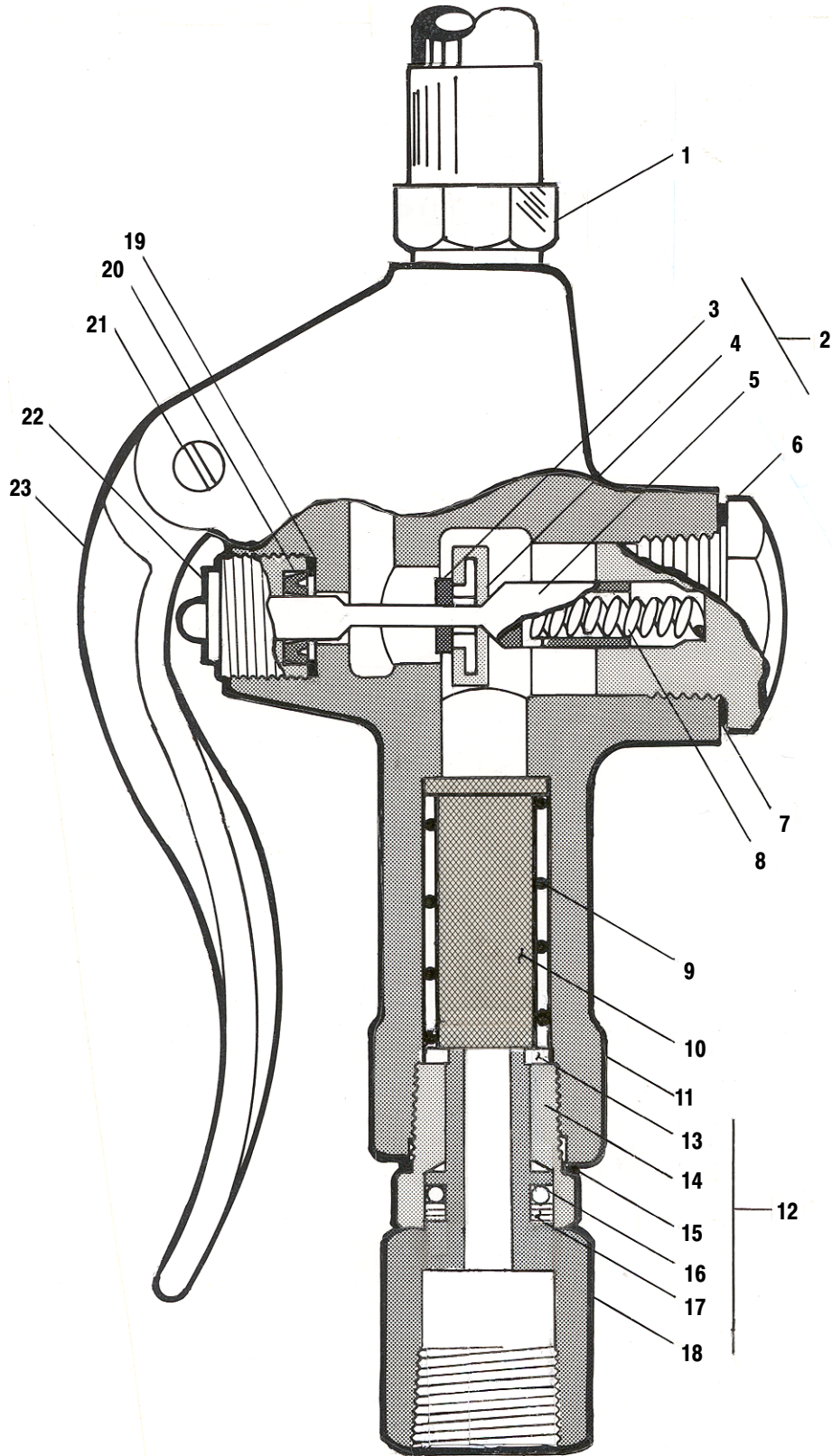


Figure 1

629239 NON-DRIP NOZZLE AND HOSE ASSEMBLY

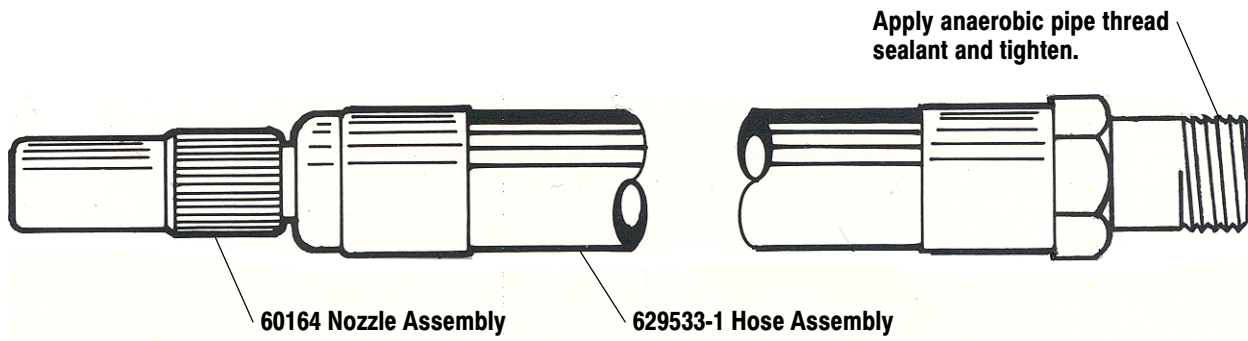


Figure 2

629240 NON-DRIP NOZZLE AND HOSE ASSEMBLY

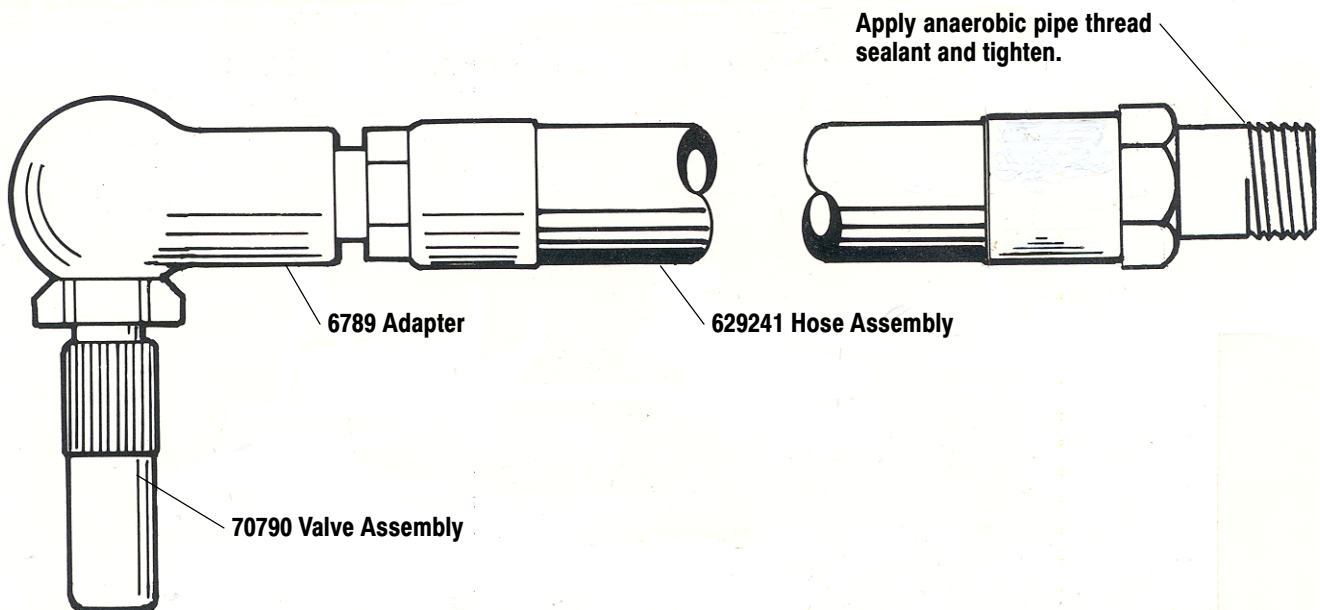


Figure 3