



CONTROL HANDLE

THIS MANUAL COVERS:

635395-1 BODY ONLY

2000 P.S.I. (138 BAR)
MAXIMUM WORKING PRESSURE

635395-2 BODY AND FLEXIBLE HOSE

(SEE PICTURE)

900 P.S.I. (62 BAR)
MAXIMUM WORKING PRESSURE

MODEL 635395-2
SHOWN



DESCRIPTION

Non-metered type control handle for dispensing motor oils, gear oils, or hydraulic oils. Designed with minimal restriction for applications where dispensing a high number of gallons per minute is required. Lever type differential valve allows operator to easily open gun under working pressure during dispensing operation. 15 1/2" long flexible rubber hose with non-drip tip allows operator to locate those hard-to-get-at fill points. Control handle has 3/4" NPT(F) fluid inlet and outlet.

WARNING: HIGH PRESSURE DEVICE

IMPROPER USAGE OF EQUIPMENT COULD RESULT IN SERIOUS INJURY. THE POSSIBILITY OF INJECTION INTO THE FLESH IS A POTENTIAL HAZARD. NEVER ALLOW ANY PART OF THE HUMAN BODY TO COME IN FRONT OF OR IN DIRECT CONTACT WITH THE MATERIAL OUTLET.

AN INJECTION INJURY CAN BE SERIOUS! IF INJECTION SHOULD OCCUR, CONTACT A QUALIFIED PHYSICIAN FOR IMMEDIATE TREATMENT OF SUCH INJURIES.

DO NOT EXCEED MAXIMUM WORKING PRESSURE

NOTICE: READ THIS MANUAL CAREFULLY BEFORE OPERATING, INSTALLING OR SERVICING THIS EQUIPMENT.



Disconnect pump power source and relieve all pressure from system when not in use.

OPERATION

1. Do not drop or leave control handle on floor.
2. Be sure non-drip nozzle is fully open before actuating handle. If non-drip tip is not fully open control handle will not shut off. Close completely after dispensing to prevent leakage. Holding the control handle so that the non-drip nozzle is pointed downward, turn counter-clockwise to close and clockwise to open.

MAINTENANCE

Should no lubricant be dispensed even though **6** handle is operated, be sure non-drip nozzle is open and that lubricant is being supplied to control handle. Also be sure that **10** rod is being moved by the handle.

Should lubricant leak under handle, remove handle and tighten **5** nut. If this does not stop leak, remove nut and replace **8** (4) packings or **1** wavy washer.

NOTE: It may be necessary to remove the **16** plug and then remove **10** rod in order to remove the packing and gasket.

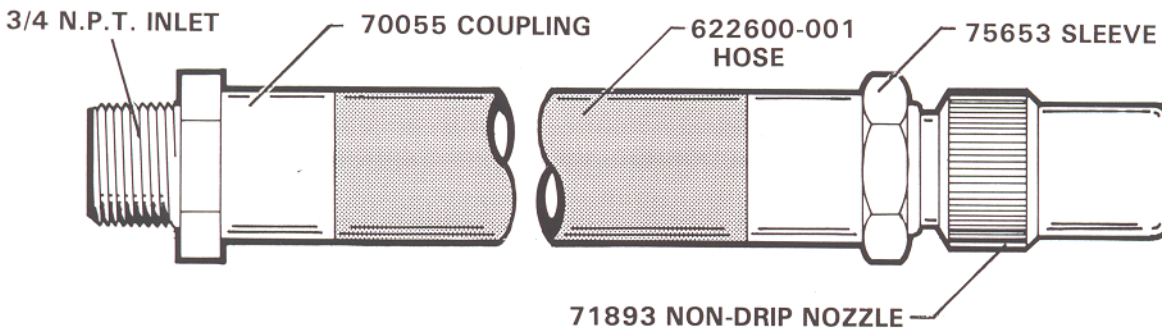
Should lubricant leak through hole in **16** plug, remove plug and check **13** "U" cup. Replace if necessary. Should lubricant leak around **16** plug, remove plug and check **14** gasket. Replace if necessary.

Should lubricant flow from control handle even though trigger is not depressed, remove **16** plug and **10** rod. Check for dirt or foreign matter which may be preventing valve from properly seating, also check the **19** "O" Ring of the valve ass'y. for seal. Replace if necessary.

NOTE: A small amount of lubricant will leak from control handle after it has been used and trigger is released. This is because this lubricant is already past the non-drip valve seat. The non-drip nozzle should be closed after each use to prevent this.

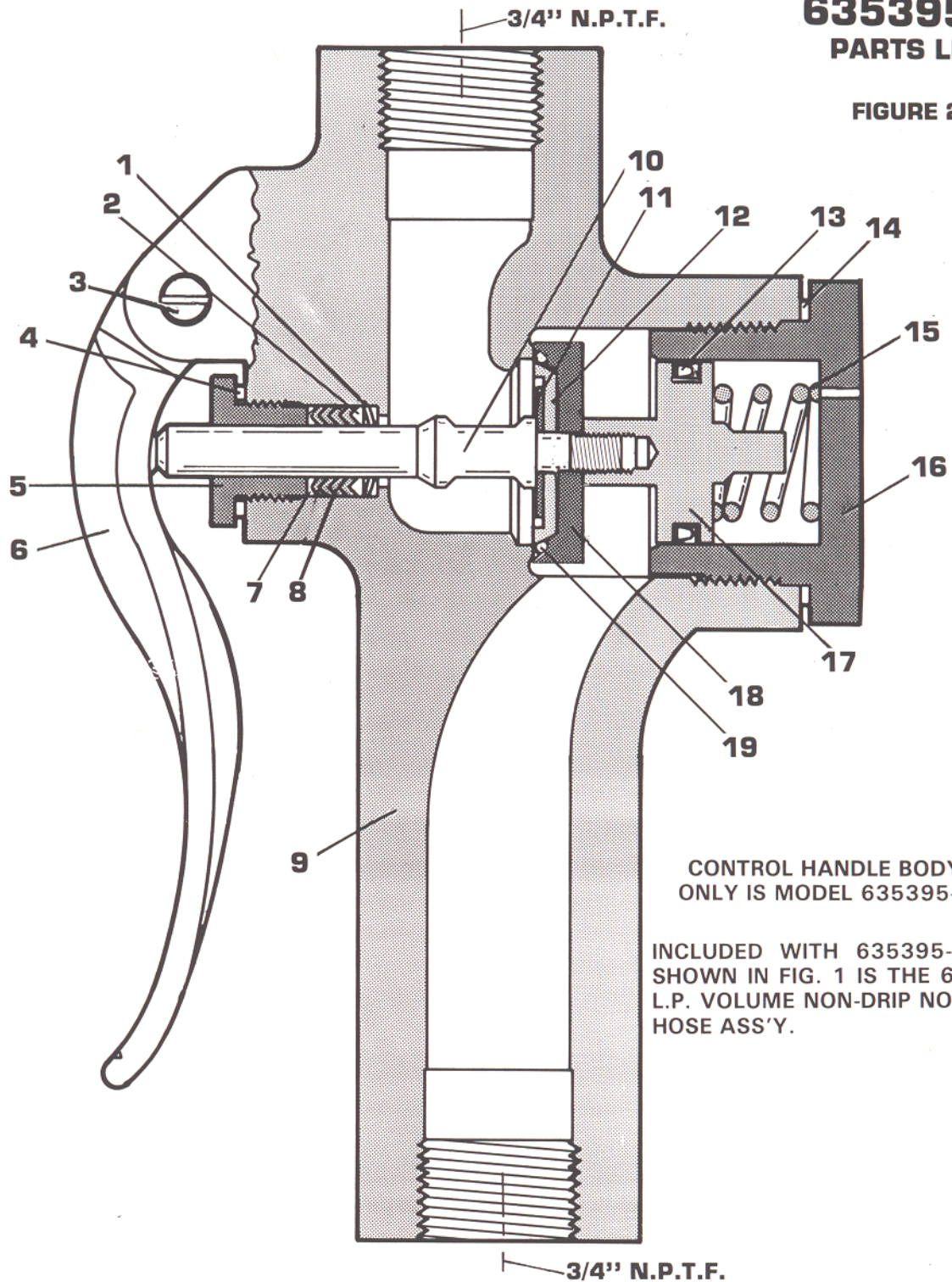
629212 LOW PRESSURE NON-DRIP NOZZLE & HOSE ASS'Y.

FIGURE 1



635395-X PARTS LIST

FIGURE 2



CONTROL HANDLE BODY
ONLY IS MODEL 635395-1

INCLUDED WITH 635395-2 BUT
SHOWN IN FIG. 1 IS THE 629212
L.P. VOLUME NON-DRIP NOZZLE &
HOSE ASS'Y.

Ref.	Part No.	Description	Ref.	Part No.	Description
1	76790	Wavy Washer	11	44402	Gasket
2	76788	Male Washer	12	79253	Adapter
3	2600	Screw	13	79254	"U" Cup
4	79251	Gasket	14	79250	Gasket
5	79247	Packing Nut	15	76802	Spring
6	72084	Handle	16	79246	Plug
7	76789	Female Washer	17	79248	Piston
8	76787	(4) Packing	18	79252	Adapter
9	79245	Valve Body	19	Y325-121	"O" Ring
10	79249	Rod			



THE ARO CORPORATION

ONE ARO CENTER BRYAN, OHIO 43506-0151

PH 419-636-4242 • TWX 810-443-2994 • TELEX 286456 • FAX 419-636-2115