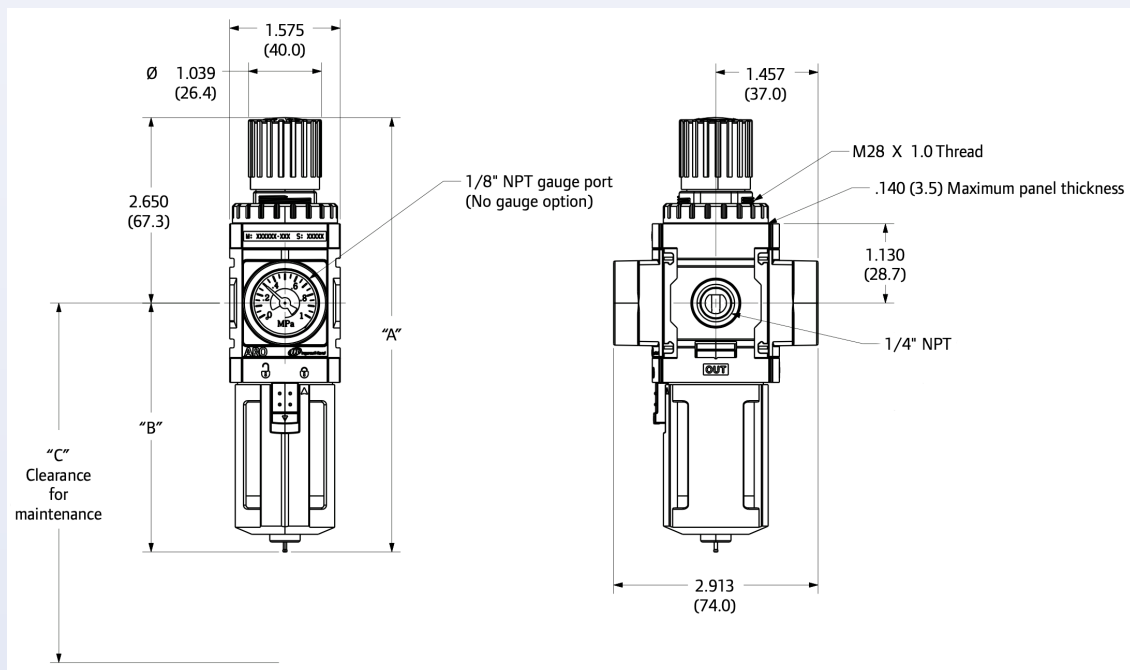


## Data Sheet, P-392124-624

### 1/4" Module/Air 1000 Series Piggyback Filter/Regulator with Gauge

- Thread Size: 1/4"
- Series: 1000
- Pressure Range: 5-125 PSI
- Drain Type: Automatic
- Bowl Type: Metal
- Air Flow: 47 CFM
- Max Inlet Pressure: 250 PSI
- Temperature Range: 23°F - 175°F
- Bowl Cap: 0.7 oz
- Gauge Port: 1/8"
- Includes: Micron filter with composite bowl and automatic drain



	A (MM)	B (MM)	C (MM)	DRAIN
<b>P-39124-624</b>	6.890 (175.0)	4.240 (107.7)	5.815 (147.7)	AUTOMATIC