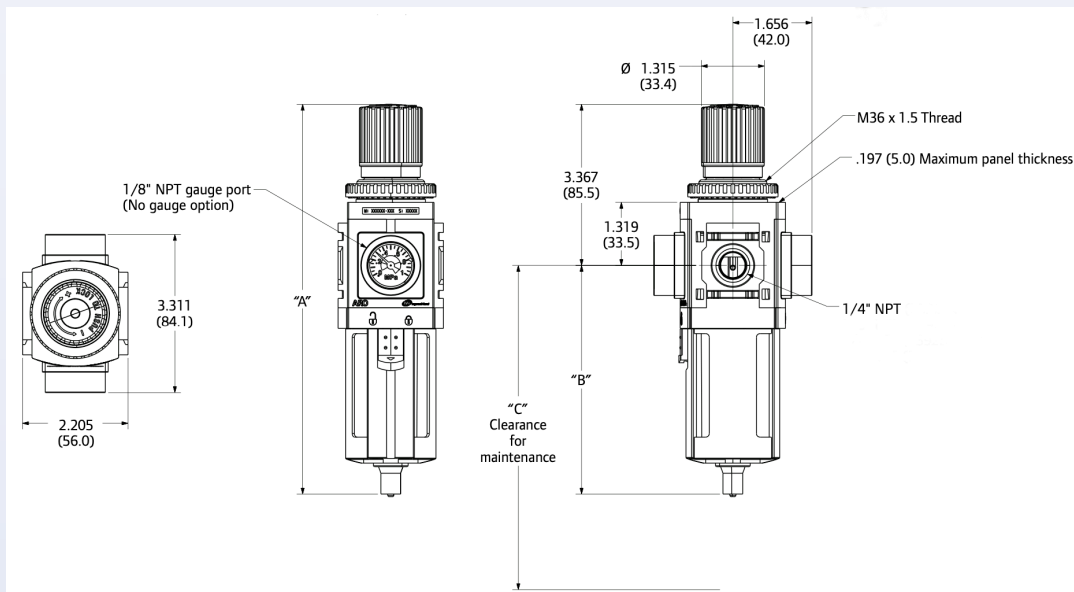


Data Sheet, P-39224-624

1/4" Module/Air 1500 Series Piggyback Filter/Regulator

- Thread Size: 1/4"
- Series: 1500
- Pressure Range: 0-140 PSIG
- Drain Type: Automatic
- Bowl Type: Metal
- Air Flow: 72 CFM
- Filter Element: 5 Micron
- Max Inlet Pressure: 250 PSI
- Temperature Range: 23°F - 175°F
- Bowl Cap: 1.0 oz
- Gauge Port: 1/8"
- Includes: Metal bowl, sight glass, gauge and automatic drain



	A (MM)	B (MM)	C (MM)	DRAIN
P-39224-624	9.016 (229.0)	5.650 (143.5)	7.650 (194.3)	AUTOMATIC