

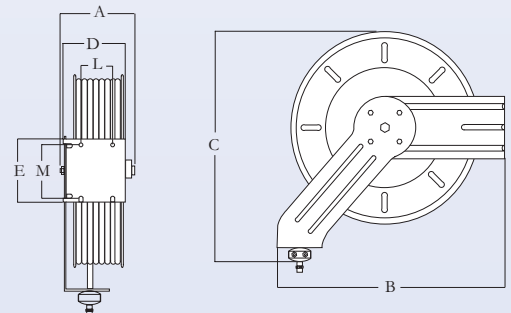
Data Sheet, TIM-3618-50A Hose Reel (Advantage Plus Series)

Low Pressure (300 PSI), powder-coated, single-arm reel,
1/2" x 50' delivery hose

- **HOSE:**
 - Rubber delivery hose
 - Working pressure, 300 PSI maximum
- **SHIPPING:**
 - One box
 - *Weight:* 60 pounds
 - *Dimensions:* 22.5" x 21" x 9"
- **COMPATIBILITY:**
 - Air
 - Water
 - Windshield Washer Solvent
- **MAXIMUM MOUNTING HEIGHT:**
 - 14' above floor
- **MOUNTING BASE HOLE PATTERN:**
 - 3.5" x 7.5"
 - Four holes for 3/8", Grade 5 hardware
- **THREADS:**
 - *Swivel:* 1/2" NPT (F x F)
 - *Delivery Hose:* 1/2" NPT (M x M)
- **WARRANTY (Defects in material and workmanship, non-wear parts):**
 - Five years for hardware
 - One year for hose
- **ACCESSORIES:**
 - TIM-3600-50, Slide-in mounting bracket. Four holes for 3/8", Grade 5 hardware
 - TIM-3600-CAB Single Cabinet Enclosure, TIM-3600-PAN End-Panel Kit, TIM-4218-4NS Connecting Hose
 - TIM-4218-2N Connecting Hose, 1/2" x 1/2" NPT (M x M), 300 PSI, 2' long
- **INSTALLATION RECOMMENDATIONS:**
 - Two parallel runs of, Kindorf Strut Channel affixed to steel roofing supports. Four each, 3/8", Grade 5 bolts, flat/lock washers and Kindorf Spring Nuts *per Kindorf pair*
 - Affix **TIM-3600-50** bracket(s) to Kindorf pair. Four each, 3/8", Grade 5 bolts, flat/lock washers and Kindorf Spring Nuts *per bracket*. One foot bracket spacing
 - Typical mounting bolt specifications: Grade 5, 3/8-16, 1-1/2" (length as required)
 - Keep reel and associated plumbing away from heat sources
 - Plumbing, 1/2" diameter, K-Copper plumbing with copper or brass fittings
 - Three wraps Teflon tape followed by pipe dope



A	B	C	D	E	Mount L-M
8-7/16"	21-1/2"	20-5/8"	5-3/4"	9"	3-1/2" x 7-1/2"



14' maximum mounting height