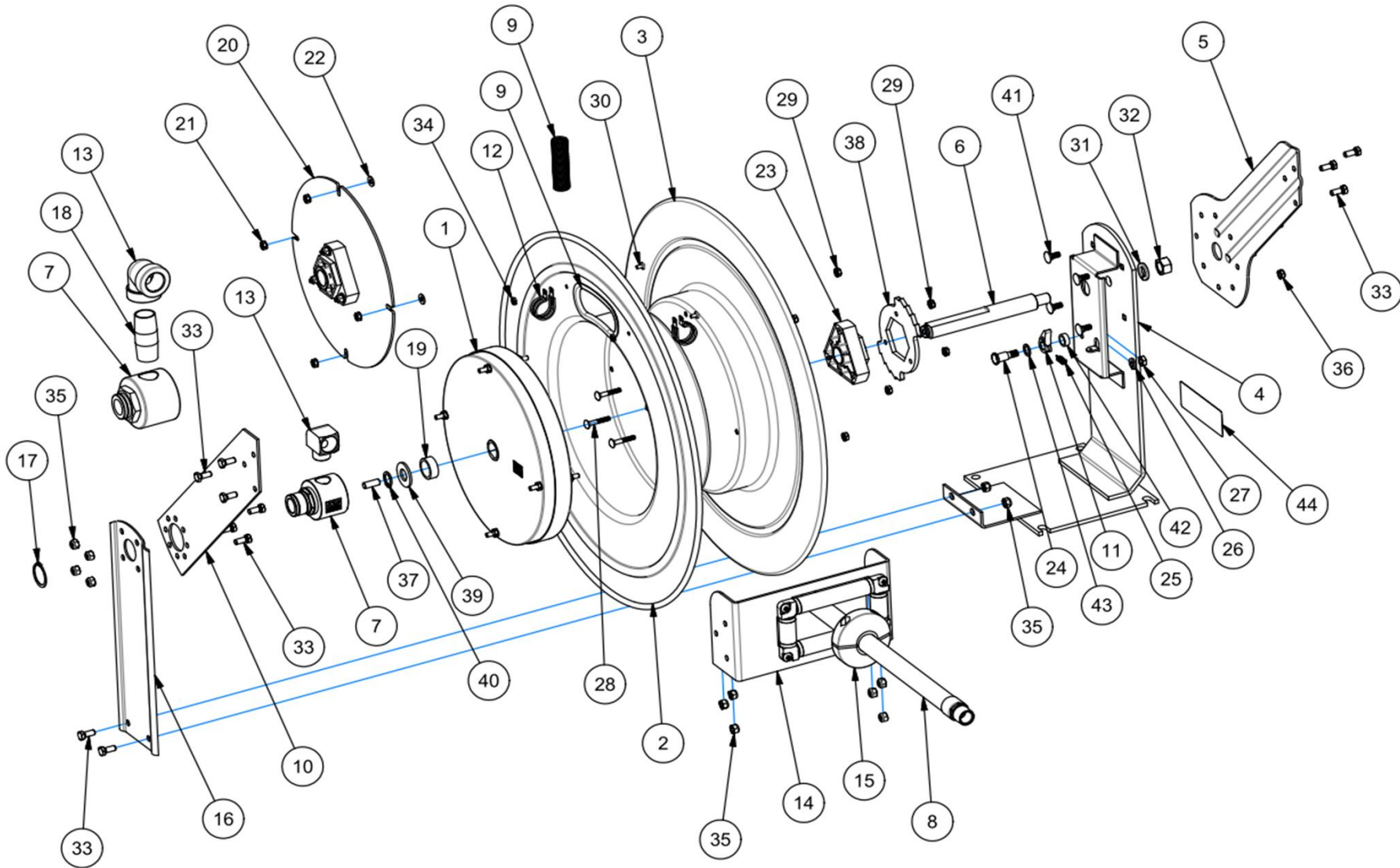


Double Arm, Gray, TIM-3000, Platinum Series, Reels



Double Arm, Gray, TIM-3000, Platinum Series, Reels

Model [base]	Prod uct	PSI	Hose	Rewind Spring [1]	DRUM [2]	DRUM [3]	BASE [4]	ARM [5]	SWIVEL [7]	HOSE [8]	GUARD [9]	ARM [10]	CLAMP [12]	ELBOW [13]	BRKT. [14]	BALL ST [15]	SUPP. [16]	R.RING [17]	SPACER [19]	Common Parts Itm #	Common Parts Part #	Common Parts Desc.
TIM-3106-50LT	air/wat	low	3/8	[690-2]	TIM-1703-3208 [1703]	[1702]	[1784]	TIM-1732 [1732]	TIM-433 [433]	TIM-4216-50F	[237-1]	[1827]	[381]		TIM-1829-1 [1829-1]	TIM-131-3 [131-3]	[1740]	[1754]	[7511]	[10,11,12, 29,35,37]	TIM-725-WBR [725-BR]	Cam Lock Rebuild Kit
TIM-3106-100D	air/wat	low	3/8	[698-2]	[1705]	[1704]	[1786]	[1733]	TIM-433 [433]	TIM-4216-100F	[237-1]	[1825]	[381]		TIM-1829-1 [1829-1]	TIM-131-3 [131-3]	[1741]	[1754]	[7511]	[6]	[1794]	Axle
TIM-3106-50P	air/wat	low	3/8	[690-2]	TIM-1703-3208 [1703]	[1702]	[1784]	TIM-1732 [1732]	TIM-433 [433]	TIM-4216-50F	[237-1]	[1827]	[381]		TIM-1829-1 [1829-1]	TIM-131-3 [131-3]	[1740]	[1754]	[7511]	[11]	TIM-640-3416 [640-1-SS]	Lock, Cam
TIM-3106-75P	air/wat	low	3/8	[698-1]	[1705]	[1704]	[1786]	[1733]	TIM-433 [433]	TIM-4216-75F	[237-1]	[1825]	[381]		TIM-1829-1 [1829-1]	TIM-131-3 [131-3]	[1741]	[1754]	[7511]	[23]	TIM-1776-3 [1776-3]	Assy, Hub Brg
TIM-3106-100P	air/wat	low	3/8	[698-2]	[1705]	[1704]	[1786]	[1733]	TIM-433 [433]	TIM-4216-100F	[237-1]	[1825]	[381]		TIM-1829-1 [1829-1]	TIM-131-3 [131-3]	[1741]	[1754]	[7511]	[24]	[1620]	Bolt, shoulder
TIM-3108-75D	air/wat	low	1/2	[692-2]	[1705]	[1704]	[1786]	[1733]	TIM-434-75 [434]	TIM-4208-75F	TIM-398-1 [398-1]	[1825]	[383]		TIM-1829-1 [1829-1]	TIM-131-4 [131-4]	[1741]	[1754]				
TIM-3108-100D	air/wat	low	1/2	TIM-652-3208 [656]	[1705]	[1704]	[1786]	[1733]	TIM-434-75 [434]	TIM-4208-100F	TIM-398-1 [398-1]	[1825]	[383]		TIM-1829-1 [1829-1]	TIM-131-4 [131-4]	[1741]	[1754]		[25]	TIM-274 [274-1-SS]	Spring Dog
TIM-3108-50P	air/wat	low	1/2	[691-3]	TIM-1703-3208 [1703]	[1702]	[1784]	TIM-1732 [1732]	TIM-434-75 [434]	TIM-4208-50F	TIM-398-1 [398-1]	[1827]	[383]		TIM-1829-1 [1829-1]	TIM-131-4 [131-4]	[1740]	[1754]	[7511]	[26]	[437]	Washer, Lock
TIM-3108-75P [TIM-3208-BR125]	air/wat	low	1/2	TIM-652-3208 [692-2]	[1705]	[1704]	[1786]	[1733]	TIM-434-75 [434] [TIM-434-KIT for date stamped swivel only]	TIM-4208-75F	TIM-398-1 [398-1]	[1825]	[383]		TIM-1829-1 [1829-1]	TIM-131-4 [131-4]	[1741]	[1754]		[27]	[184]	Nut, jam, 3/8-16
TIM-3108-100P [TIM-3208-BR125]	air/wat	low	1/2	TIM-652-3208 [656]	[1705]	[1704]	[1786]	[1733]	TIM-434-75 [434] [TIM-434-KIT for date stamped swivel only]	TIM-4208-100F	TIM-398-1 [398-1]	[1825]	[383]		TIM-1829-1 [1829-1]	TIM-131-4 [131-4]	[1741]	[1754]		[28]	[1953]	Carriage bolt
TIM-3112-50D	air/wat	low	3/4	[692-1]	[1705]	[1704]	[1786]	[1733]	TIM-426-3412 [426]	Discontinued TIM-4212-50SG	TIM-398-1 [398-1]	[1825]	[384]	[385]	[8740]	TIM-430 [430]	[1712]	[516]		[29]	[125]	Nut, Keps
TIM-3112-50P	air/wat	low	3/4	[692-1]	[1705]	[1704]	[1786]	[1733]	TIM-426-3412 [426]	Discontinued TIM-4212-50	TIM-398-1 [398-1]	[1825]	[384]	[385]	[8740]	TIM-430 [430]	[1712]	[516]		[30]	[245]	Bolt, 10-32x3/8
																				[31]	[438]	Washer, lock
TIM-3208-50LT	oil/anti	med	1/2	TIM-649-3208 [649]	TIM-1703-3208 [1703]	[1702]	[1784]	TIM-1732 [1732]	TIM-434-75 [434] [TIM-434-KIT for date stamped swivel only]	TIM-4418-50S	TIM-398-1 [398-1]	[1827]	[383]		TIM-1829-1 [1829-1]	TIM-131-4 [131-4]	[1740]	[1754]		[32]	[3584]	Nut, hex, 5/8-11
TIM-3208-75LT	oil/anti	med	1/2	TIM-652-3208 [656]	[1705]	[1704]	[1786]	[1733]	TIM-434-75 [434] [TIM-434-KIT for date stamped swivel only]	TIM-4418-75S	TIM-398-1 [398-1]	[1825]	[383]		TIM-1829-1 [1829-1]	TIM-131-4 [131-4]	[1741]	[1754]		[33]	[312]	Bolt, 5/16/2018
TIM-3208-50P [TIM-3208-LTBR]	oil/anti	med	1/2	TIM-649-3208 [649]	TIM-1703-3208 [1703]	[1702]	[1784]	TIM-1732 [1732]	TIM-434-75 [434] [TIM-434-KIT for date stamped swivel only]	TIM-4418-50S	TIM-398-1 [398-1]	[1827]	[383]		TIM-1829-1 [1829-1]	TIM-131-4 [131-4]	[1740]	[1754]		[34]	[130]	nut, 10-32
TIM-3208-75P [TIM-3208-BR75] [TIM-3208-BR125]	oil/anti	med	1/2	TIM-652-3208 [656]	[1705]	[1704]	[1786]	[1733]	TIM-434-75 [434] [TIM-434-KIT for date stamped swivel only]	TIM-4418-75S	TIM-398-1 [398-1]	[1825]	[383]		TIM-1829-1 [1829-1]	TIM-131-4 [131-4]	[1741]	[1754]		[35]	[111]	Nut, lock, 5/16-18
TIM-3208-100P [TIM-3208-BR100] [TIM-3208-BR125]	oil/anti	med	1/2	TIM-652-3208 [658]	[1705]	[1704]	[1786]	[1733]	TIM-434-75 [434] [TIM-434-KIT for date stamped swivel only]	TIM-4418-100S	TIM-398-1 [398-1]	[1825]	[383]		TIM-1829-1 [1829-1]	TIM-131-4 [131-4]	[1741]	[1754]		[36]	[111-1]	Nut, lock, 5/16-18
TIM-3212-50P	oil/anti	med	3/4	[654]	[1705]	[1704]	[1786]	[1733]	TIM-426-3412 [426]	Discontinued TIM-4412-50	TIM-398-1 [398-1]	[1825]	[384]	[385]	[8740]	TIM-430 [430]	[1712]	[516]		[37]	[10235-SS]	Setscrew
																				[38]	[1924]	Locking ring
TIM-3306-50LT	greas	high	3/8	[696-1]	TIM-1703-3208 [1703]	[1702]	[1784]	TIM-1732 [1732]	TIM-521-3306 [521]	TIM-4506-50S	[237-1]	[1827]	[613]		TIM-1829-1 [1829-1]	TIM-131-3 [131-3]	[1740]	[1754]		[39]	[1755-1]	Washer, spacer
TIM-3306-75LT	greas	high	3/8	TIM-652-3208 [656]	[1705]	[1704]	[1786]	[1733]	TIM-521-3306 [521]	TIM-4506-75 or TIM-4506-75S	[237-1]	[1825]	[613]		TIM-1829-1 [1829-1]	TIM-131-3 [131-3]	[1741]	[1754]		[40]	[1753]	Retaining ring
TIM-3306-50P [TIM-3306-LTBR]	greas	high	3/8	[696-1]	TIM-1703-3208 [1703]	[1702]	[1784]	TIM-1732 [1732]	TIM-521-3306 [521]	TIM-4506-50S	[237-1]	[1827]	[613]		TIM-1829-1 [1829-1]	TIM-131-3 [131-3]	[1740]	[1754]		[41]	[10220-75]	Bolt, Carriage
TIM-3306-75P [TIM-3306-BR75] [TIM-3208-BR125]	greas	high	3/8	TIM-652-3208 [656]	[1705]	[1704]	[1786]	[1733]	TIM-521-3306 [521]	TIM-4506-75 or TIM-4506-75S	[237-1]	[1825]	[613]		TIM-1829-1 [1829-1]	TIM-131-3 [131-3]	[1741]	[1754]		[42]	[6440-SS]	Washer, spacer
																				[43]	[6441-1]	Washer, spacer
TIM-3412-50P	dsl/gas	low	3/4	[692-1]	[1705-1]	[1704]	[1786]	[1733]	TIM-426-3412 [426]	TIM-4612-50	TIM-398-1 [398-1]	[1825]	[384]	[385]	[8740]	TIM-430 [430]	[1712]	[516]		[44]	[10925-5]	Label

Note: "TIM" series part numbers are available for purchase. Bracketed "[x]" series part numbers are not stocked but can be special ordered.
Note: TIM-656-3208 and TIM-658-3208 Rewind Spring superseded by TIM-652-3208 (HD version).