

LP3005-1-50R Portable Grease Pump

Prepared by:

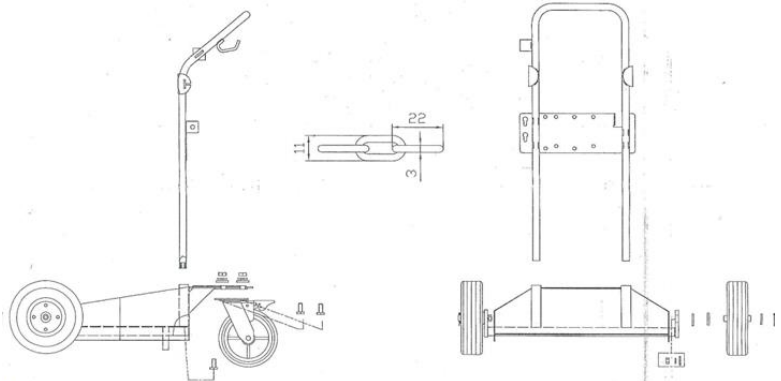
American Lubrication Equipment Corporation

Assembly

Pull the cart from the box

Slide the handle into the base

Thread the two bolts from the bottom of the base to the handle



Pull the TIM-401-RBKT (Reel Mount Bracket with Hardware)



Place your caster wheel on the bottom of the cart plate.

Before placing the bracket on the cart face, place the four bolts from the bracket hardware upside down having the threads facing upwards

Place the four bolts from the cart hardware through the caster plate and the bracket plate and tighten the bolts



Assembly

Pull the Reel from the box

Teflon Tape and Gasoila the threaded side of the 90-degree elbow on the end of the 4-foot hose



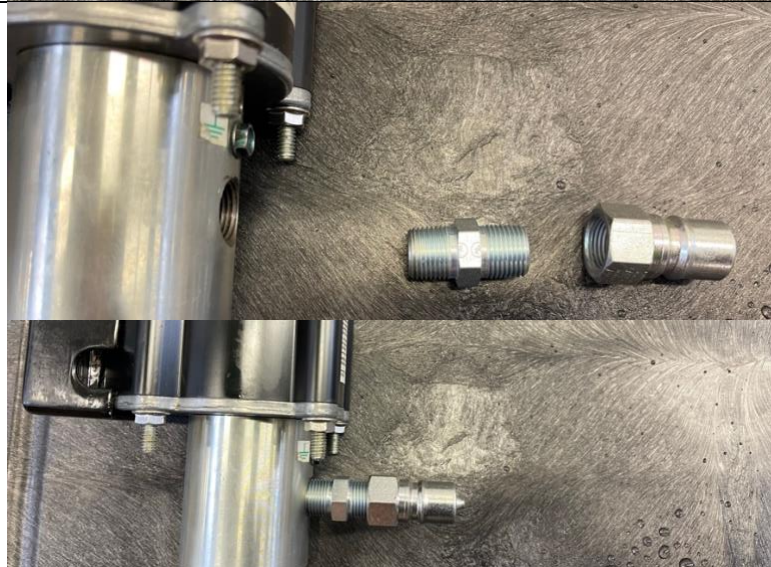
Teflon and Gasoila the threads on the other end of the hose and attach the High-Pressure Coupler



Pull the pump from the box

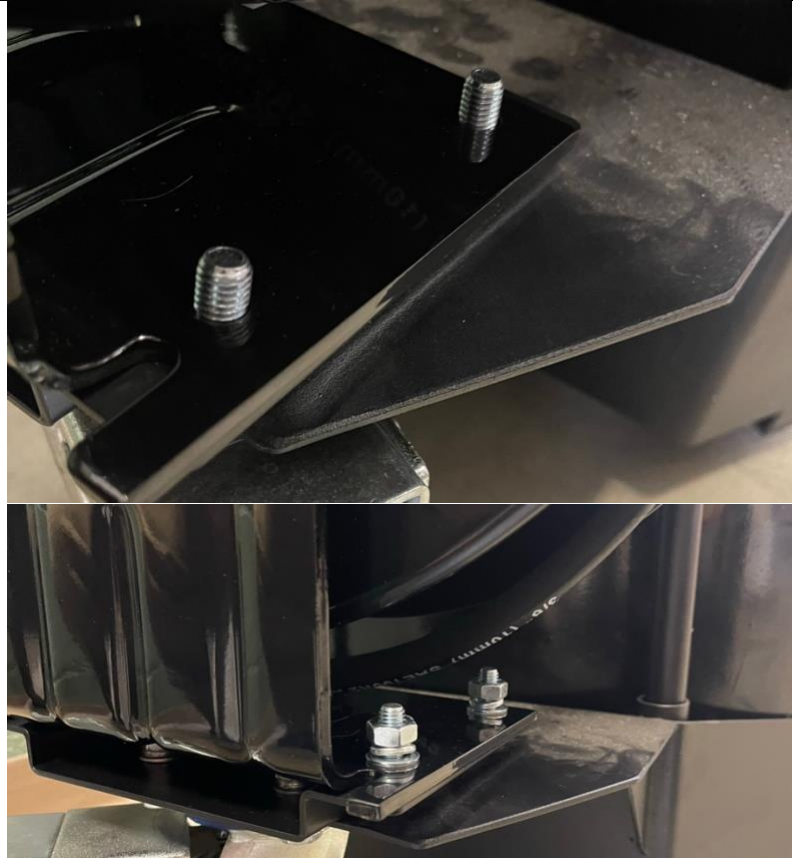
Teflon and Gasoila the threads on ¼ nipple.

Attach the connector to the outlet on the pump



Assembly

Attach the reel to the reel bracket



Pull the hose out of the reel and attach the Z-Swivel to the hose

Attach the Grease Control Valve



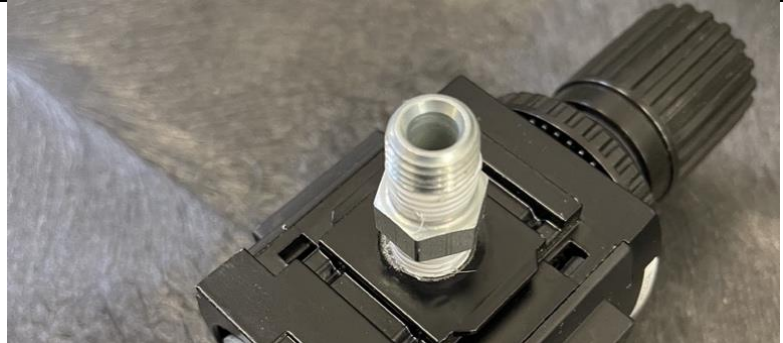
Assembly

With the drum cover installed slide the grease pump into the barrel

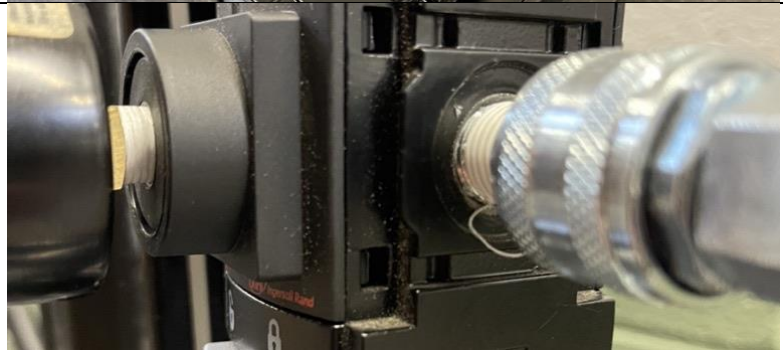
Set the screws



Teflon tape the pipe nipple and attach to the "OUT" port on the regulator



Teflon the air connector and attach to the "IN" on port on the regulator



Teflon the Air Gauge and attach to the front of the regulator



Assembly



If you have any question or concerns, please contact us at Customerservice@americanlube.com