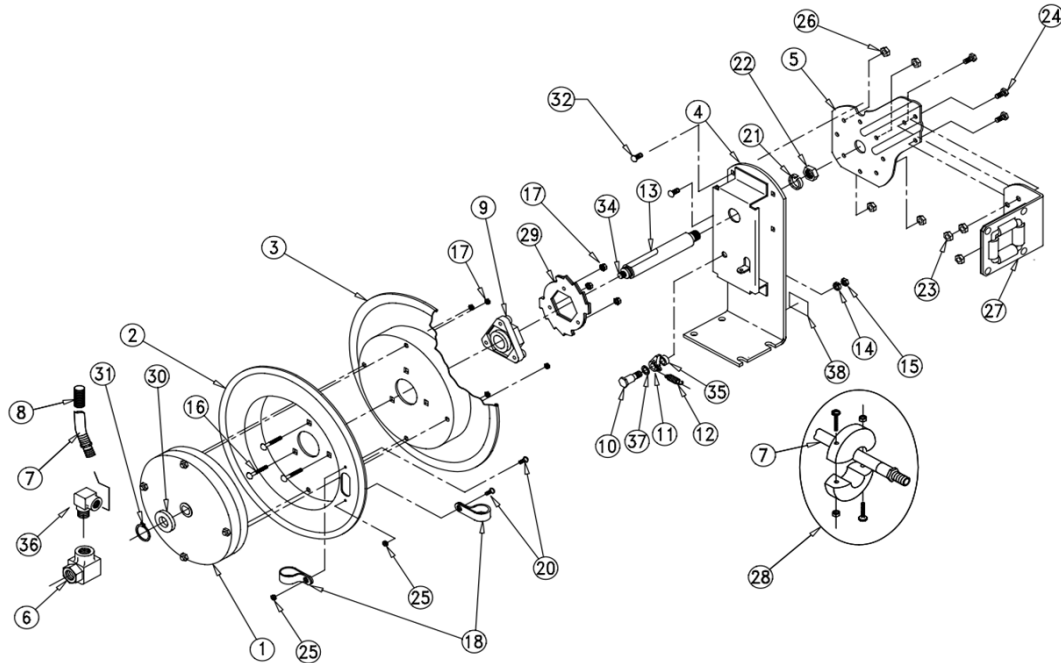


## Single Arm, Gray, TIM-3000, Industrial Series, Reels

Model	Product	PSI	Hose	Rewind Spring [1]	SWIVEL [6]	HOSE [7]	HOSE GUARD [8]	AXLE [13]	CLAMP [18]	BALL STOP [28]	ELBOW [36]	Common Parts Item #	Common Parts Part #	Common Parts Desc.
TIM-3106-25D	air/wat	low	3/8	[690-2]	TIM-1935 [1935]	Discontinued TIM-4206-25SG	[237-1]	[1793]	[381]	TIM-131-3 [131-3]		[10,11,12,29,35,37]	TIM-725-WBR	Camlock Rebuild Kit
TIM-3106-50D	air/wat	low	3/8	[690-2]	TIM-1935 [1935]	TIM-4216-50F	[237-1]	[1793]	[381]	TIM-131-3 [131-3]		[2]	TIM-1703-3208 [1703]	Drum
TIM-3108-50D [TIM-3208-BR50]	air/wat	low	1/2	[696-1]	TIM-439 [439] [TIM-434-KIT for date stamped swivels only]	TIM-4208-50F	TIM-398-1 [398-1]	[1793]	[383]	TIM-131-4 [131-4]		[3]	[1720]	Drum
												[4]	TIM-1743-2 [1743-2]	Base
TIM-3208-25D1 [TIM-3208-BR50]	oil/anti	med	1/2	[696-1]	TIM-439 [439] [TIM-434-KIT for date stamped swivels only]	TIM-4418-25S	TIM-398-1 [398-1]	[1794]	[383]	TIM-131-4 [131-4]		[5]	TIM-1732 [1732]	Arm Guard
TIM-3208-30D1 [TIM-3208-BR50]	oil/anti	med	1/2	[696-1]	TIM-439 [439] [TIM-434-KIT for date stamped swivels only]	TIM-4418-30S	TIM-398-1 [398-1]	[1794]	[383]	TIM-131-4 [131-4]		[9]	TIM-1776-3 [1776-3]	Assy, Hub Brg
TIM-3208-50D1 [TIM-3208-BR50]	oil/anti	med	1/2	[696-1]	TIM-439 [439] [TIM-434-KIT for date stamped swivels only]	TIM-4418-50S	TIM-398-1 [398-1]	[1794]	[383]	TIM-131-4 [131-4]		[10]	[1620]	Bolt, shoulder
												[11]	TIM-640-3416 [640-1-SS]	Cam Lock
TIM-3306-25D1 [TIM-3208-BR50]	greas	high	3/8	[696-1]	TIM-521-3306 [521]	Discontinued TIM-4506-25A	TIM-238-1 [238-1]	[1794]	[613]	TIM-131-3 [131-3]	TIM-1501-66	[12]	TIM-274 [274-1-SS]	Spring Dog
TIM-3306-50D1 [TIM-3208-BR50]	greas	high	3/8	[696-1]	TIM-521-3306 [521]	TIM-4506-50S	TIM-238-1 [238-1]	[1794]	[613]	TIM-131-3 [131-3]	TIM-1501-66	[14]	[437]	Washer, Lock



Note:  
"TIM-" series part numbers are available for purchase.

Bracketed "[x]" series part numbers are not stocked but can be special ordered.

[15]	[184]	Nut, jam, 3/8-16
[16]	[1953]	Carriage bolt
[17]	[125]	Nut, Keps
[20]	[245]	Bolt, 10-32x3/8
[21]	[438]	Washer, lock
[22]	[3584]	Nut, hex, 5/8-11
[23]	[111]	Nut, lock, 5/16-18
[24]	[312]	Bolt, 5/16-18
[25]	[130]	Nut, Keps, 10-32
[26]	[111-1]	Nut, lock, 5/16-18
[27]	TIM-1728-1 [1728-1]	Roller Bracket
[29]	[1924]	Locking ring
[30]	[1755-1]	Washer, spacer
[31]	[1753]	Retaining ring
[32]	[10220-75]	Bolt, Carriage
[34]	[10235-SS]	Setscrew 3/8-16 x 1"
[35]	[6440-SS]	Washer, spacer
[37]	[6441-1]	Washer, spacer
[38]	[10925-5]	Label