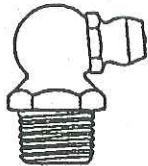
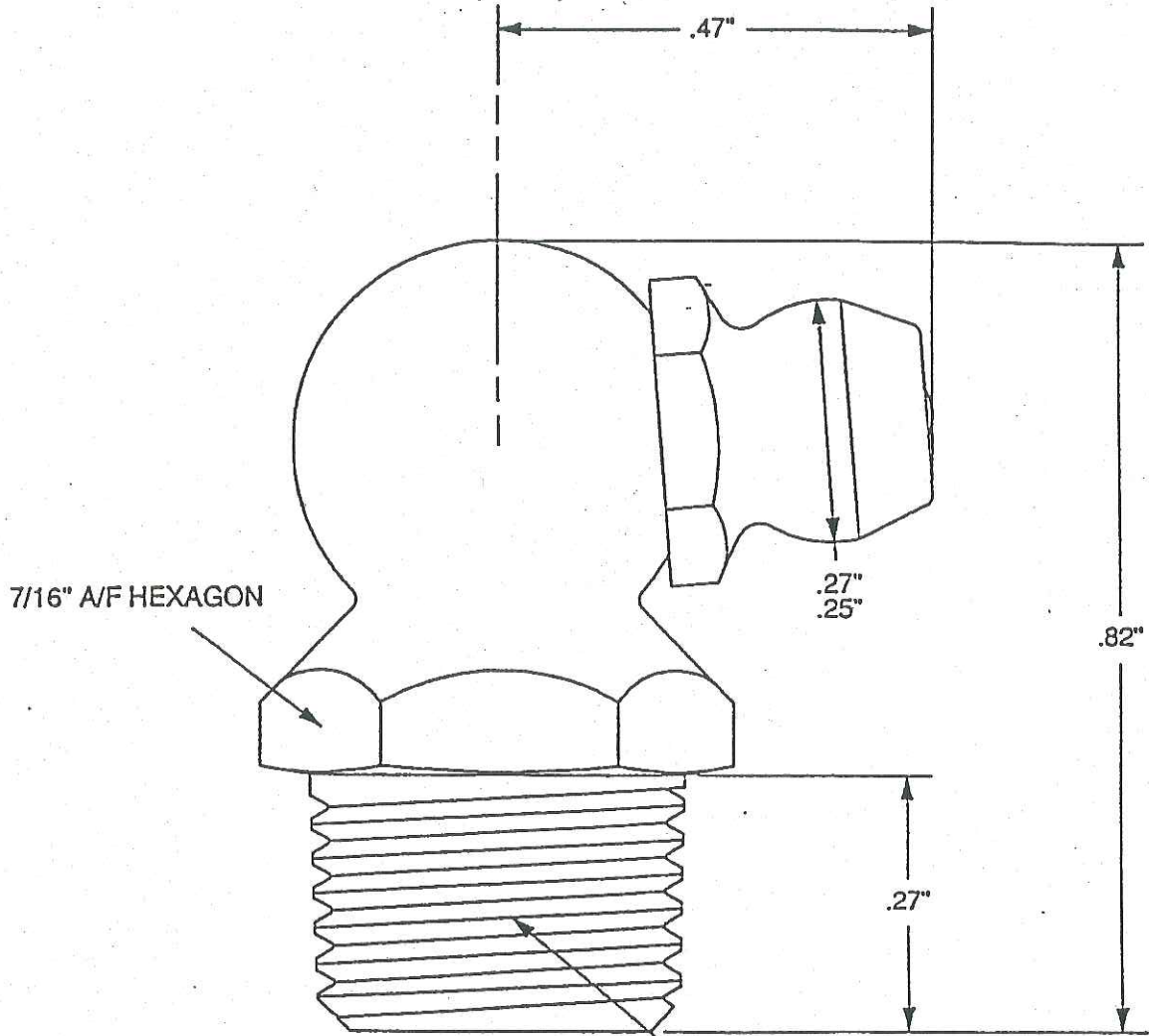


AMERICAN

LUBRICATION EQUIPMENT CORPORATION



ACTUAL SIZE

DESCRIPTION		1/8" X 27 PTF 90° ANGLE HYDRAULIC		AMERICAN LUB. CODE No. T7013	
MATERIAL 230 M07 Pb MILD STEEL	HEAT TREATMENT CASE HARDENED HEAD	SURFACE TREATMENT ZINC PLATED YELLOW CHROMATED	TOLERANCE ±.030" UNLESS OTHERWISE STATED		
CAD DRAWING 5:1 SCALE	COMPILER & DATE R.H. 12.01.93	CHECKED BY & DATE A.B. 29.01.93	ISSUE DATE 1.13.93		