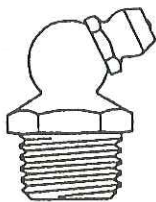
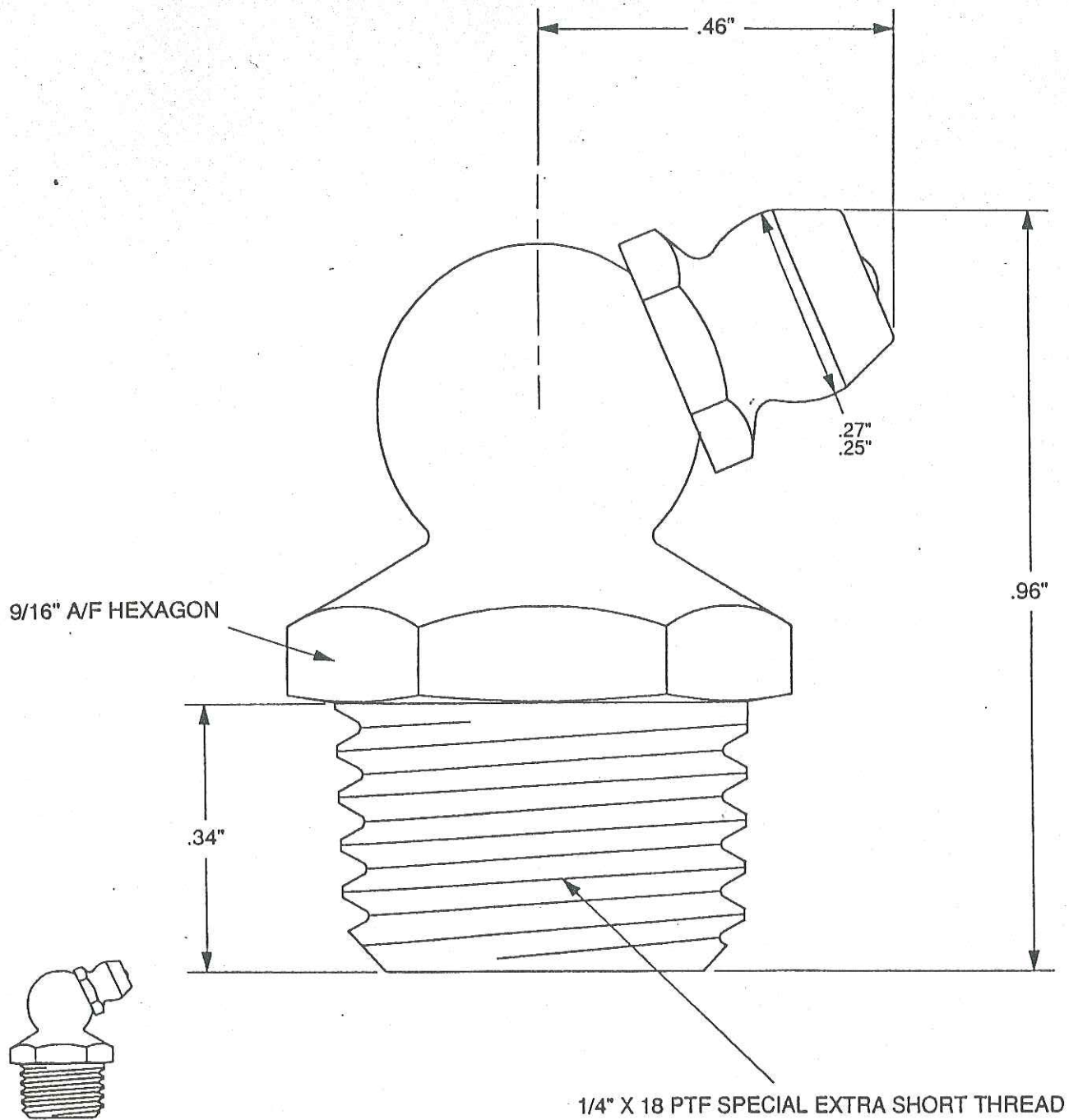


AMERICAN

LUBRICATION EQUIPMENT CORPORATION



ACTUAL SIZE

DESCRIPTION $1/4''$ PTF 65° ANGLE HYDRAULIC GREASE FITTING			AMERICAN LUB. CODE No. T7101
MATERIAL 230 M07 Pb MILD STEEL	HEAT TREATMENT CASE HARDENED HEAD	SURFACE TREATMENT ZINC PLATED YELLOW CHROMATED	TOLERANCE $\pm .030''$ UNLESS OTHERWISE STATED
CAD DRAWING 5:1 SCALE	COMPILER & DATE R.H. 26 01 02	CHECKED BY & DATE J.A.F. 26 01 02	ISSUE DATE 1. 10. 02