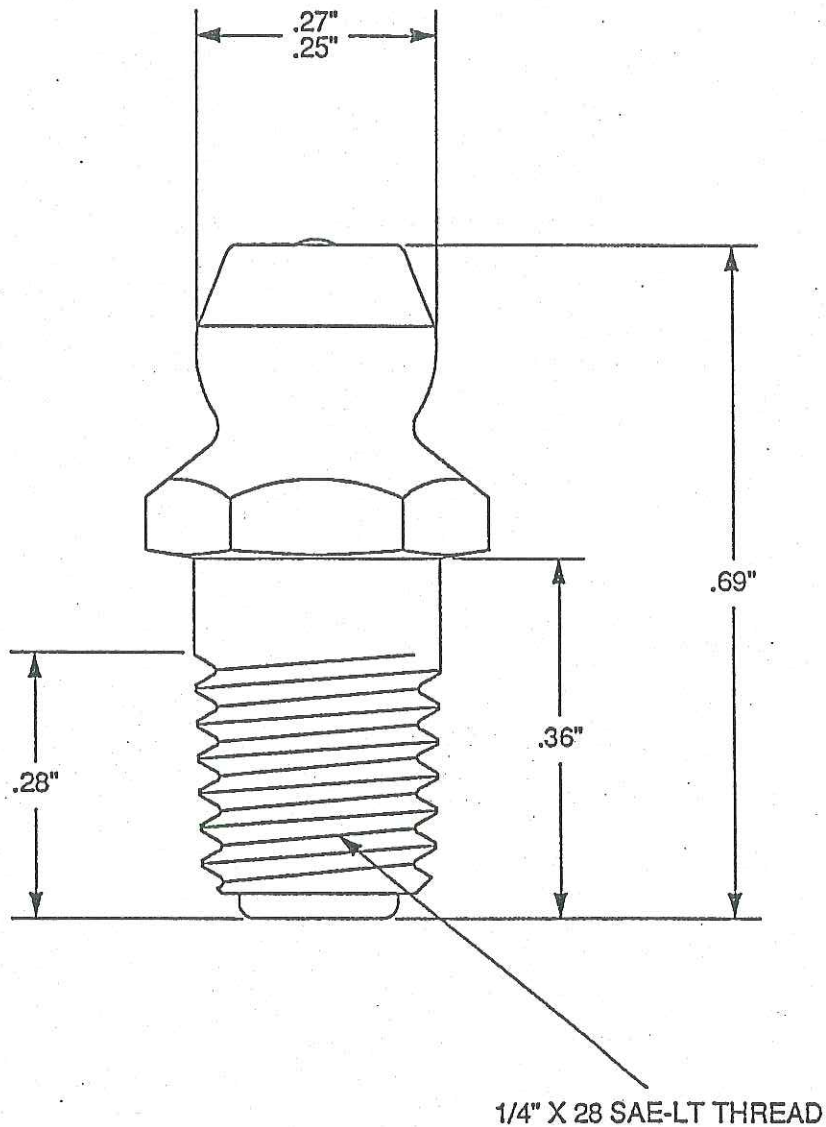


# AMERICAN

LUBRICATION EQUIPMENT CORPORATION



ACTUAL SIZE

|   |   |   |  |
|---|---|---|--|
| <b>DESCRIPTION:</b> 1/4" X 28 SAE-LT<br>STRAIGHT HYDRAULIC GREASE FITTING |   | AMERICAN LUB. CODE No. <b>T7202</b>               |  |
| <b>MATERIAL:</b><br>5/16" A/F HEXAGON<br>230 M07 Pb MILD STEEL            | <b>HEAT TREATMENT:</b><br>CARBO-NITRIDED<br>CASE HARDENED | <b>PLATING:</b><br>ZINC,<br>YELLOW CHROMATED      | <b>TOLERANCES:</b><br>SHANK & THREAD LENGTH: ±.03"<br>OTHER: ±.04" UNLESS STATED |
| <b>CAD DRAWING SCALE</b> 5:1  | <b>COMPILER &amp; DATE:</b><br>R.H.<br>08.04.93           | <b>CHECKED BY &amp; DATE:</b><br>A.B.<br>19.04.93 | <b>ISSUE DATE:</b><br>22 APR. 1993   |