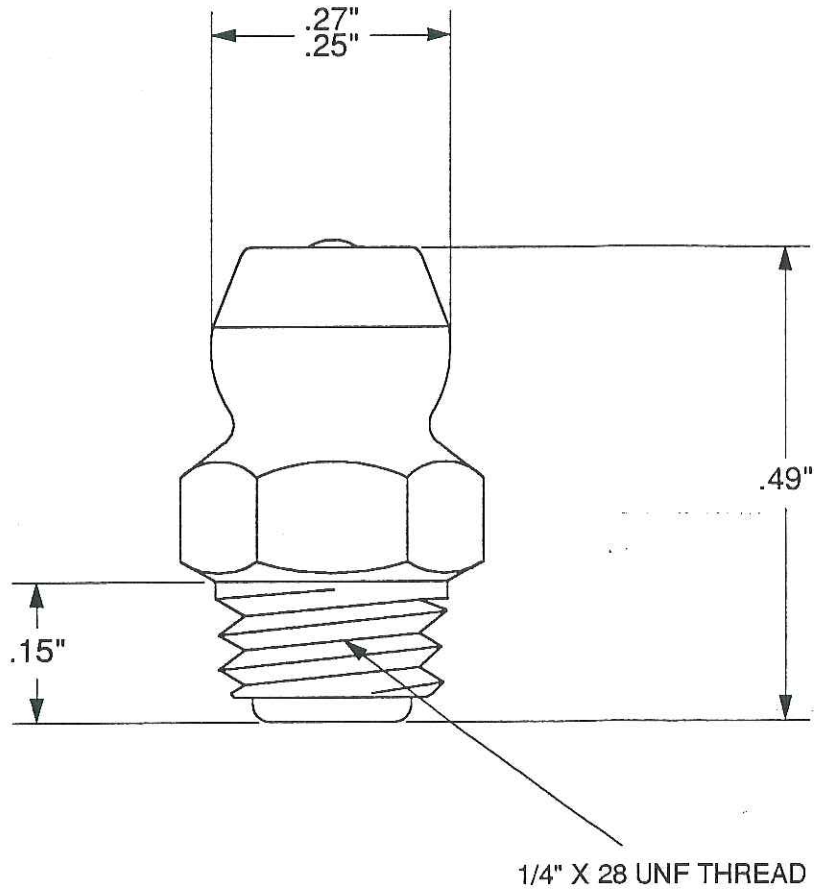


# AMERICAN

LUBRICATION EQUIPMENT CORPORATION®



ACTUAL SIZE

DESCRIPTION			1/4" X 28 UNF STRAIGHT HYDRAULIC GREASE FITTING WITH CHECK VALVE	AMERICAN LUB. CODE No. <b>T7210</b>	
MATERIAL	HEAT TREATMENT	SURFACE TREATMENT		TOLERANCE ±.030"	
9/32" A/F HEXAGON	CASE HARDENED	ZINC PLATED		UNLESS OTHERWISE STATED	
230 M07 Pb MILD STEEL		YELLOW CHROMATED			
CAD	COMPILER & DATE	CHECKED BY & DATE		ISSUE DATE	
DRAWING	BH	JAE		-1 FEB 1993	