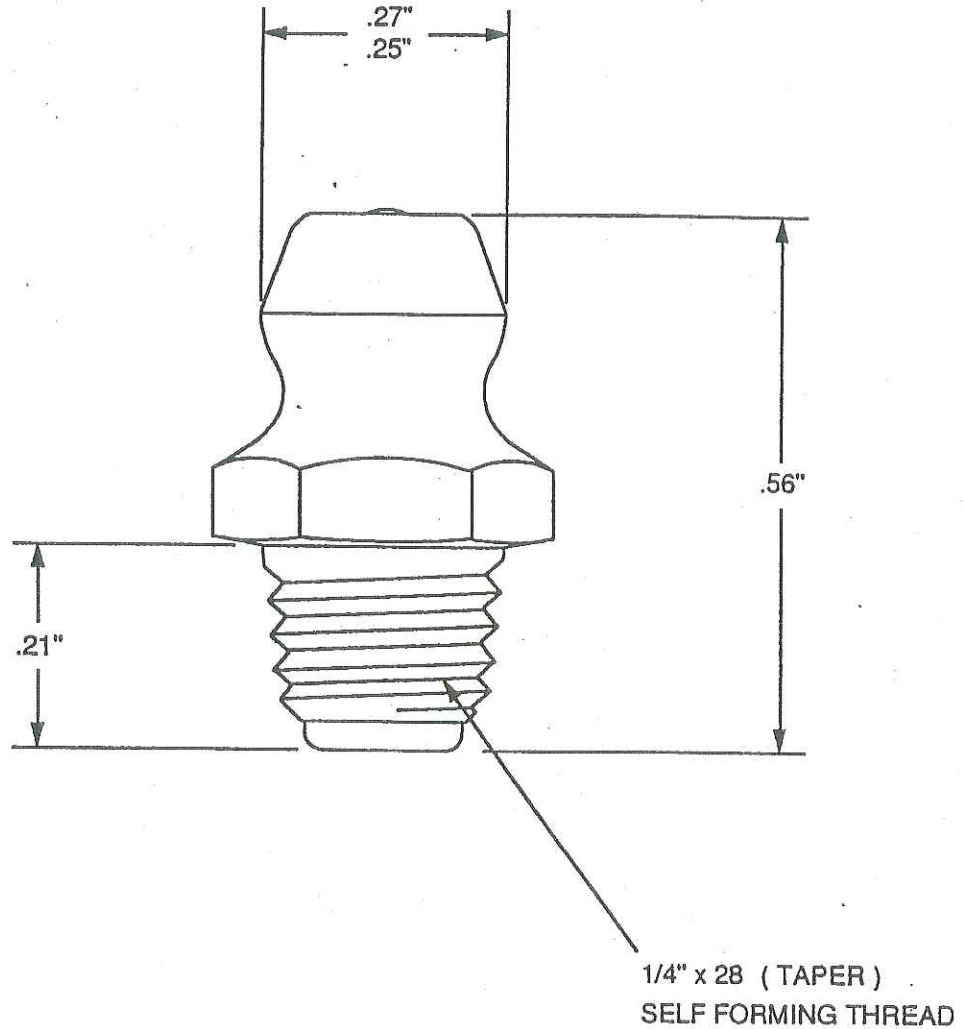


AMERICAN

LUBRICATION EQUIPMENT CORPORATION



ACTUAL SIZE

DESCRIPTION			STRAIGHT HYDRAULIC GREASE FITTING WITH CHECK VALVE	AMERICAN LUB. CODE No. T7303	
MATERIAL 5/16" A/F HEXAGON MILD STEEL	HEAT TREATMENT CASE HARDENED	SURFACE TREATMENT ZINC PLATED YELLOW CHROMATED	TOLERANCE ±.030" UNLESS OTHERWISE STATED		
CAD DRAWING SCALE 5:1	COMPILER & DATE P.J.PASHLEY 20.2.92	CHECKED BY & DATE J.A.FISHER 20.2.92	ISSUE DATE 1. FEB. 1998		