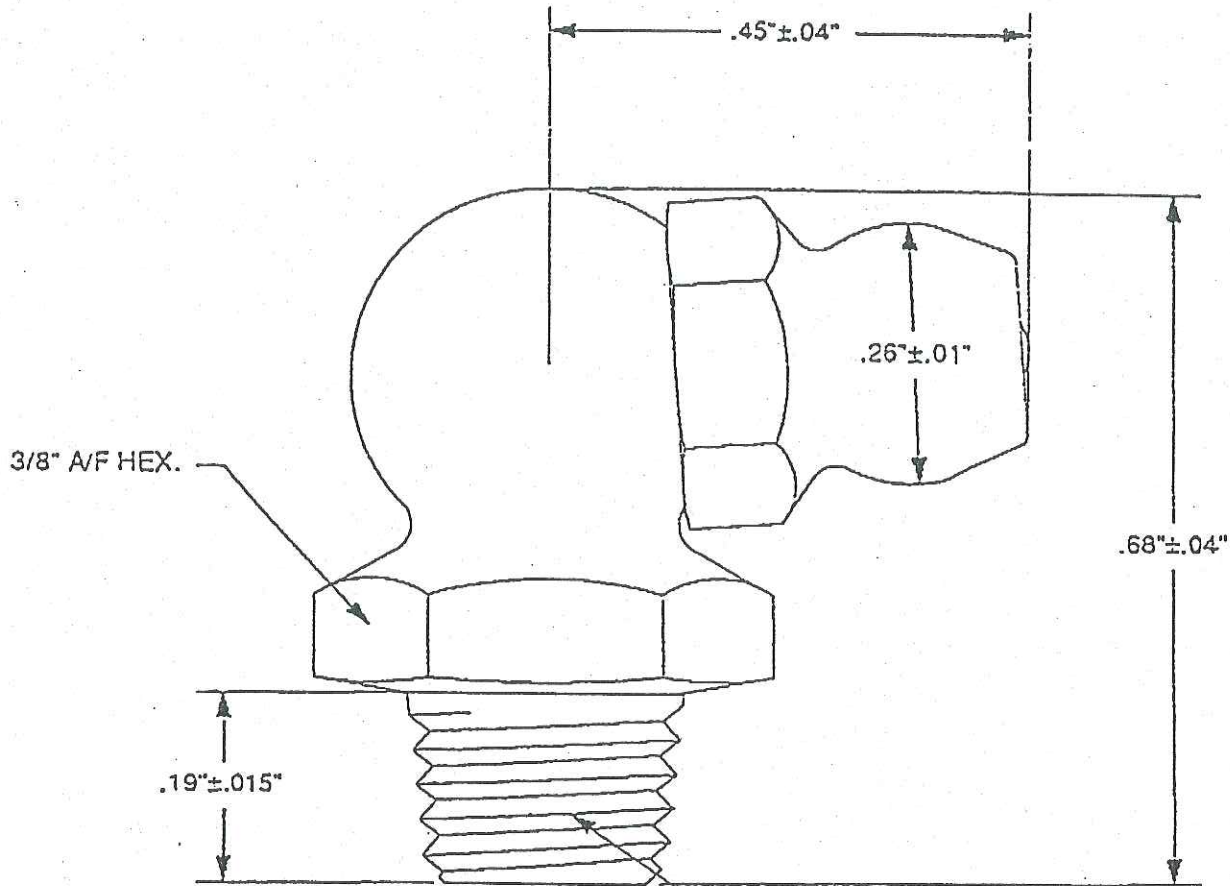
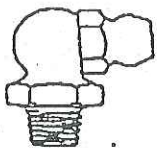
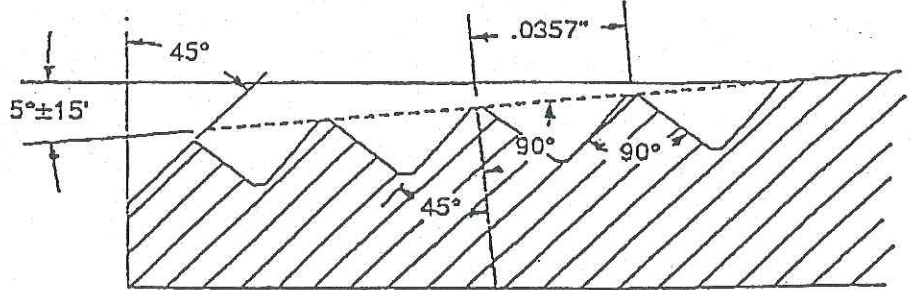


AMERICAN

LUBRICATION EQUIPMENT CORPORATION



DETAIL OF 1/4" X 28 SPECIAL TAPER THREAD FORMING THREAD
(REF. SAE J534 JAN 81)



ACTUAL SIZE

MATERIALS:

HEAD & BODY: MILD STEEL - 230 M07 Pb FREE CUTTING (BS 970)
(AISI 12L14)
CARBO-NITRIDED CASE HARDENED
(.005" - .009" 83 ROCKWELL 15N MIN.
EQUIV. 450 VICKERS HV2.5)

RING: ZINC PLATED, YELLOW CHROMATION
(72 HOURS TO RED RUST MIN. ASTM B117)

SPRING: STEEL - HS3 (BS5216) STRESS RELIEVED
(AISI 1084/1086)

BALL: CARBON STEEL - AISI 1013/1018 (080A15 BS 970)

CODE NUMBER: **T 7305**

DRAWING No. **215590/1A**

DESCRIPTION:
1/4" x 28 SPECIAL TAPER
THREAD FORMING THREAD
90° ANGLE HYDRAULIC GREASE FITTING

COMPILER & DATE: R.H. 19.02.96	CHECKED BY & DATE: J.A.F. 26.02.96
--------------------------------------	--

CAD DRAWING SCALE **5:1**

ISSUE DATE: **27.FEB 1996**