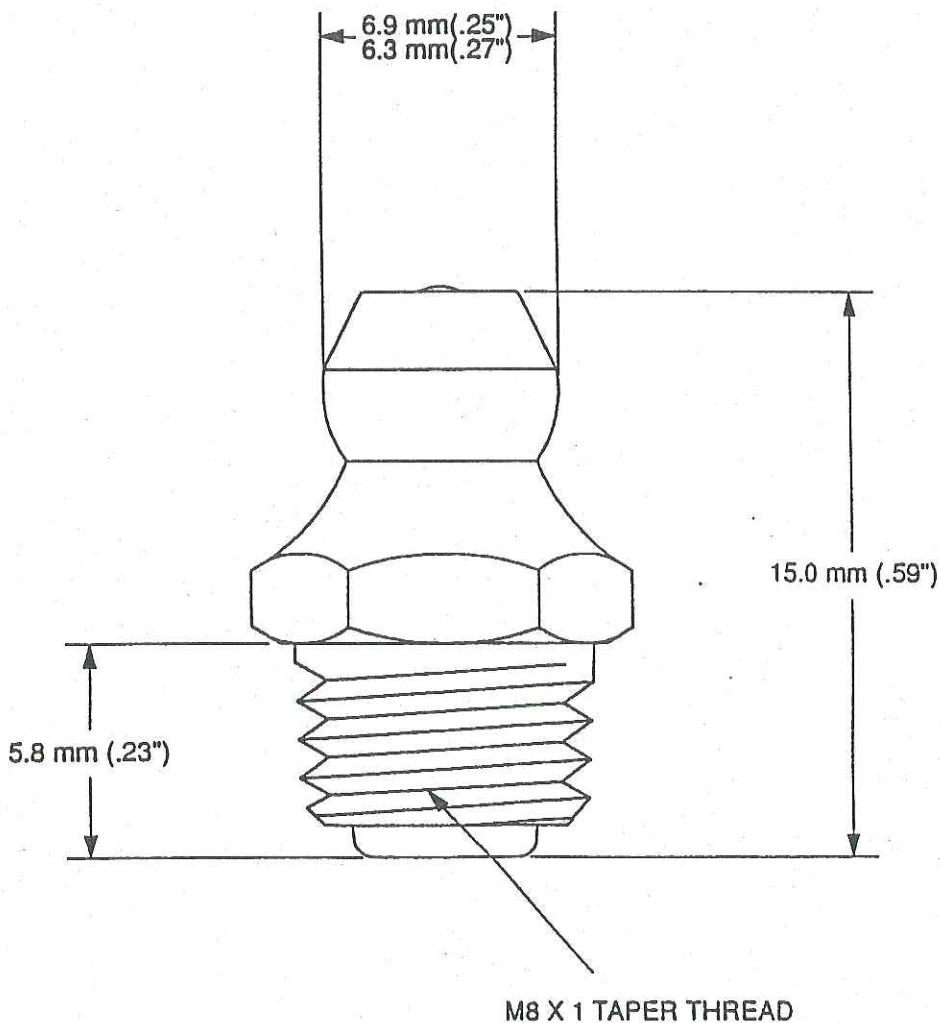


AMERICAN

LUBRICATION EQUIPMENT CORPORATION



ACTUAL SIZE

DESCRIPTION STRAIGHT HYDRAULIC GREASE FITTING WITH CHECK VALVE			AMERICAN LUB. CODE No. T7400
MATERIAL 9mm(.354") A/F HEX 230 M07 Pb MILD STEEL	HEAT TREATMENT CASE HARDENED	SURFACE TREATMENT ZINC PLATED YELLOW CHROMATED	TOLERANCE ±0.7mm (.03") UNLESS OTHERWISE STATED
CAD DRAWING 5:1 SCALE	COMPILER & DATE R.H. 25.01.93	CHECKED BY & DATE A.B. 29.01.93	ISSUE DATE 1.12.93