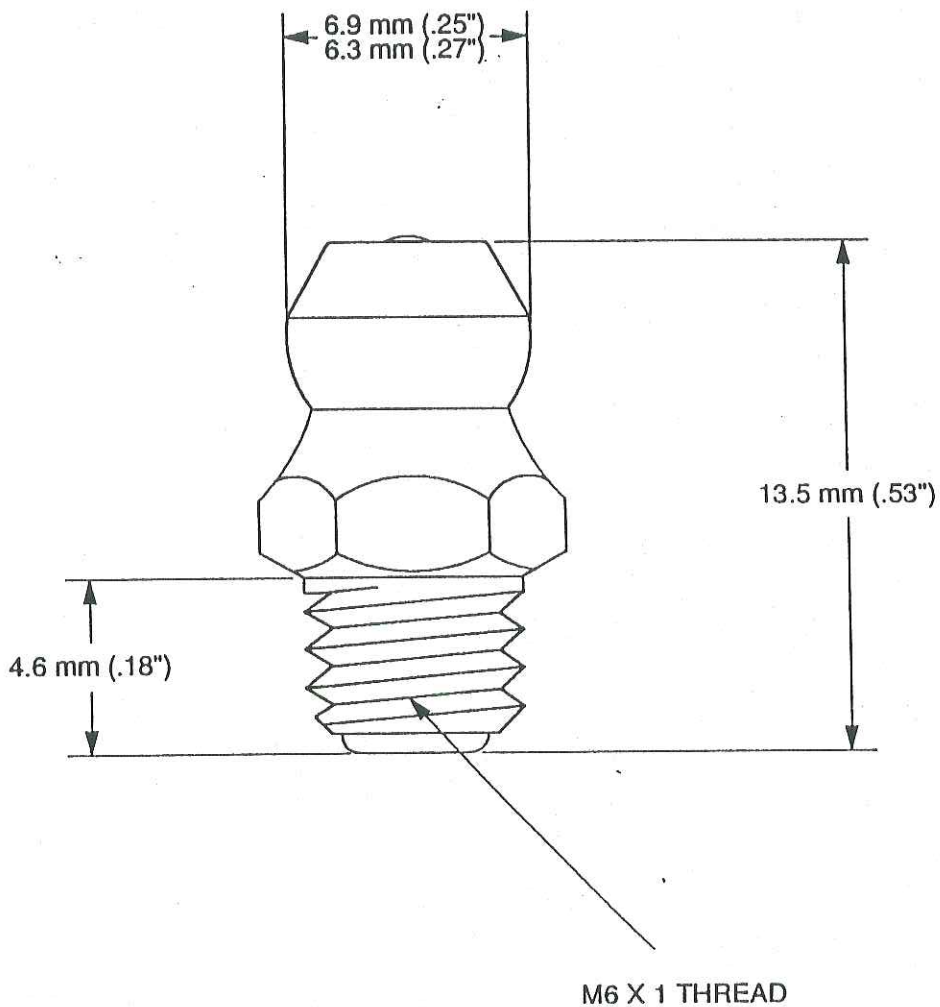


AMERICAN

LUBRICATION EQUIPMENT CORPORATION



ACTUAL SIZE

DESCRIPTION STRAIGHT HYDRAULIC GREASE FITTING WITH CHECK VALVE		AMERICAN LUB. CODE No. T7402	
MATERIAL 7mm (.276") A/F HEX 230 M07 Pb MILDSTEEL	HEAT TREATMENT CASE HARDENED	SURFACE TREATMENT ZINC PLATED YELLOW CHROMATED	TOLERANCE ±0.7mm (.03") UNLESS OTHERWISE STATED
CAD DRAWING 5:1	COMPILER & DATE R.H.	CHECKED BY & DATE J.A.F. 05/01/93	ISSUE DATE 01.11.1993