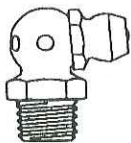
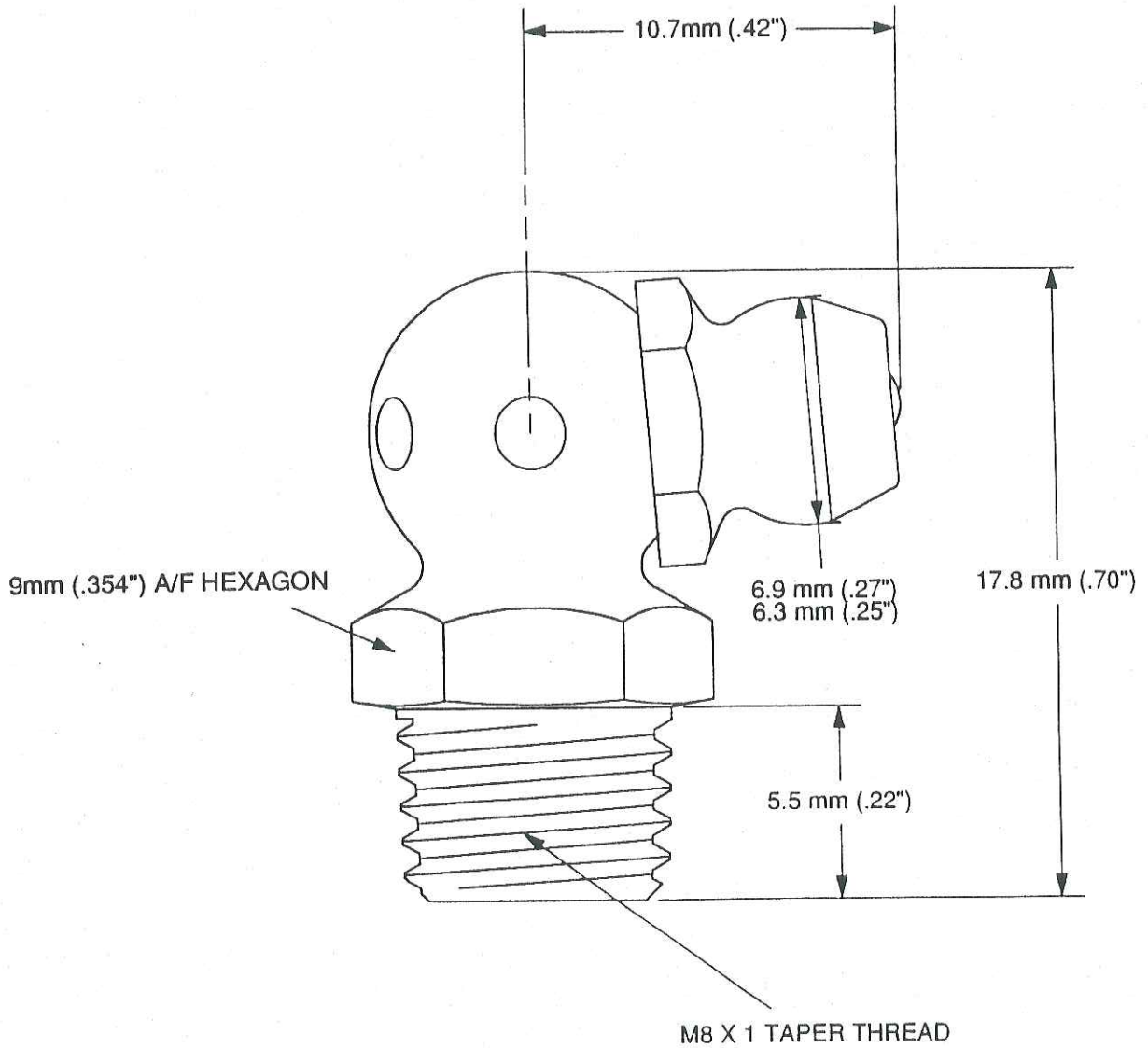


AMERICAN

LUBRICATION EQUIPMENT CORPORATION



ACTUAL SIZE

DESCRIPTION		M8 X 1 TAPER 90° ANGLE HYDRAULIC GREASE FITTING		AMERICAN LUB. CODE No. T740	
MATERIAL	HEAT TREATMENT	SURFACE TREATMENT		TOLERANCE ±0.7mm (.03")	
230 M07 Pb MILD STEEL	CASE HARDENED HEAD	ZINC PLATED YELLOW CHROMATED		UNLESS OTHERWISE STATED	
CAD	COMPILER & DATE	CHECKED BY & DATE		ISSUE DATE	
DRAWING 5:1 SCALE	R.H. 25.01.93	J.A.F. 25.01.93		11.10.1993	