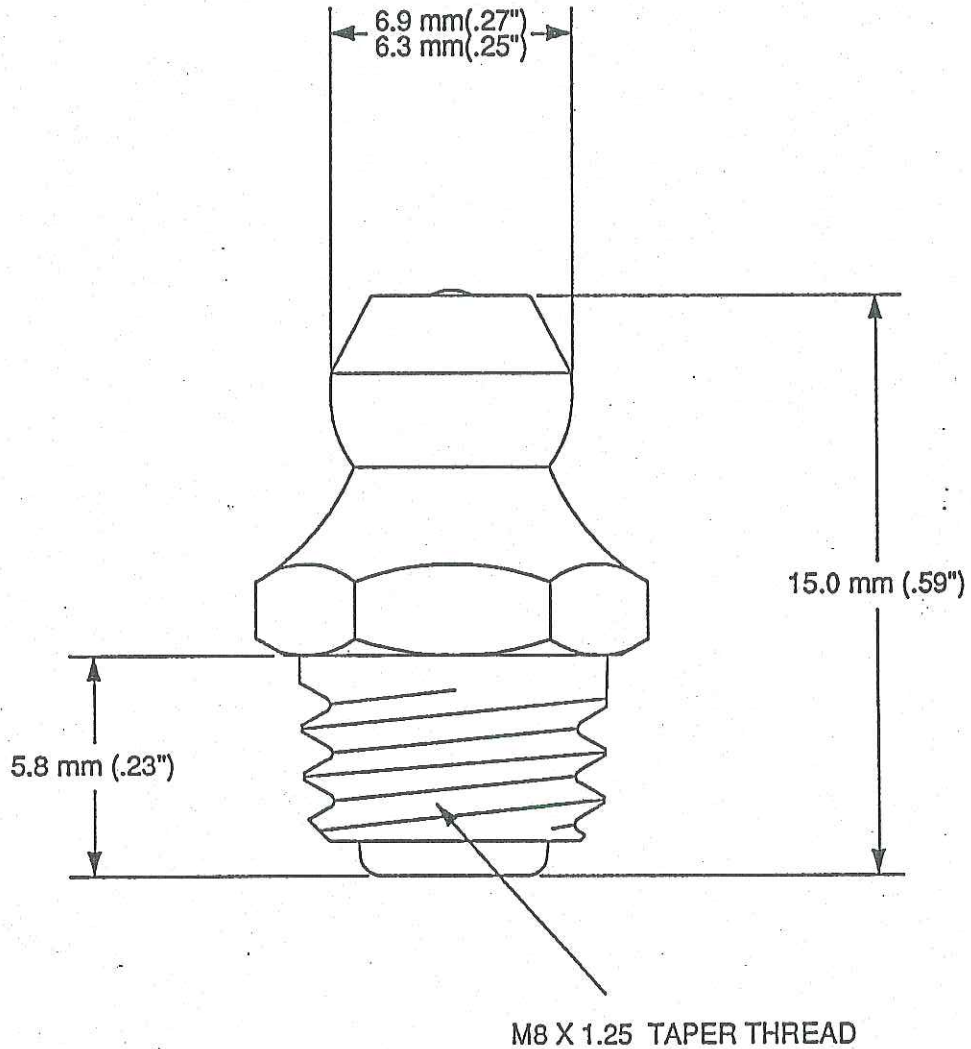


AMERICAN

LUBRICATION EQUIPMENT CORPORATION



ACTUAL SIZE

DESCRIPTION: M8 X 1.25 TAPER STRAIGHT HYDRAULIC GREASE FITTING			AMERICAN LUB. CODE No. T7409
MATERIAL: 9mm(11/32") A/F HEX. 230 M07 Pb MILD STEEL	HEAT TREATMENT: CARBO-NITRIDED CASE HARDENED	PLATING: ZINC, YELLOW CHROMATED	TOLERANCES: SHANK LENGTH: ±0.8mm (.03") OTHER: ±1.0mm (.04") UNLESS STATED
CAD DRAWING SCALE 5:1	COMPILER & DATE: R.H. 25.01.93	CHECKED BY & DATE: A.B. 19.04.93	ISSUE DATE: 22. APR. 1993