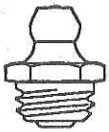
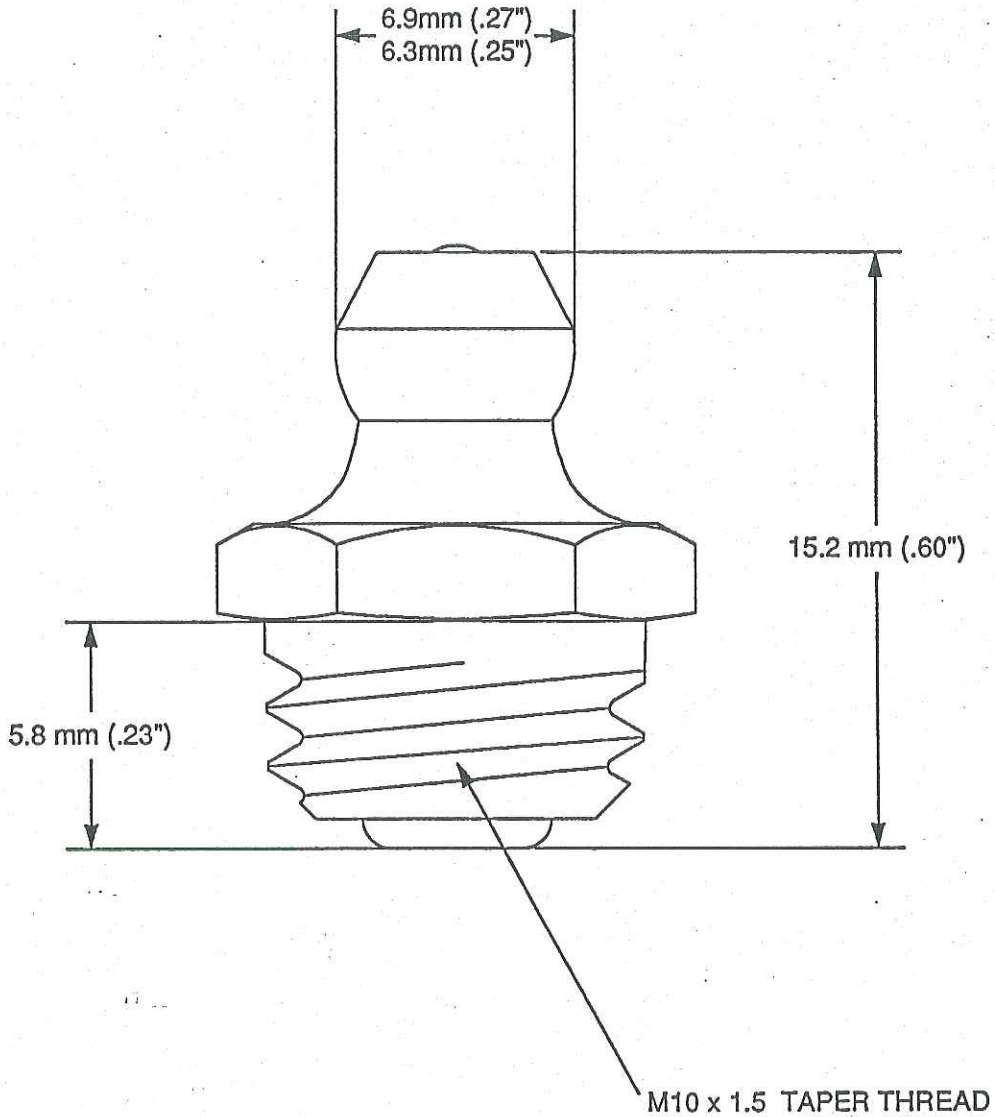


AMERICAN

LUBRICATION EQUIPMENT CORPORATION



ACTUAL SIZE

DESCRIPTION: M10 X 1.5 TAPER STRAIGHT HYDRAULIC GREASE FITTING		AMERICAN LUB. CODE No. T7412	
MATERIAL: 1mm(7/16") A/F HEX. 230 M07 Pb MILD STEEL	HEAT TREATMENT: CARBO-NITRIDED CASE HARDENED	PLATING: ZINC, YELLOW CHROMATED	TOLERANCES: SHANK LENGTH: ±0.8mm (.03") OTHER: ±1.0mm (.04") UNLESS STATED
CAD DRAWING SCALE 5:1	COMPILER & DATE: R.H. 10.04.93	CHECKED BY & DATE: A.B. 19.04.93	ISSUE DATE: 22. APR 1997