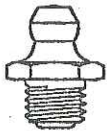
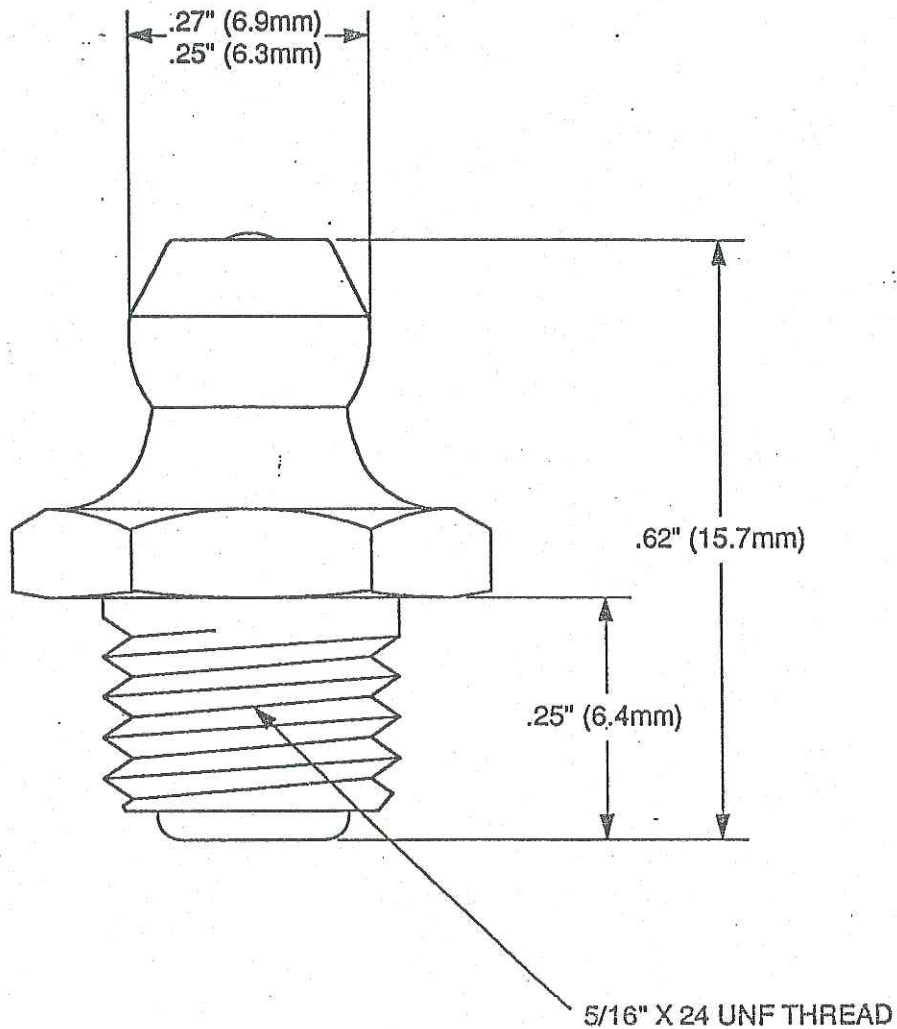


AMERICAN

LUBRICATION EQUIPMENT CORPORATION



ACTUAL SIZE

DESCRIPTION: 5/16" X 24 UNF STRAIGHT HYDRAULIC GREASE FITTING		CODE NUMBER: T-7504	
MATERIAL: 7/16" (11mm) A/F HEX. 230 M07 Pb MILD STEEL	HEAT TREATMENT: CARBO-NITRIDED CASE HARDENED	PLATING: ZINC, YELLOW CHROMATED	TOLERANCES: SHANK LENGTH: ±.03" (0.8mm) OTHER: ±.04" (1.0mm) UNLESS STATED
CAD DRAWING 5:1 SCALE	COMPILER & DATE: R.H. 12.10.92	CHECKED BY & DATE: J.A.F. 14.10.92	ISSUE DATE: