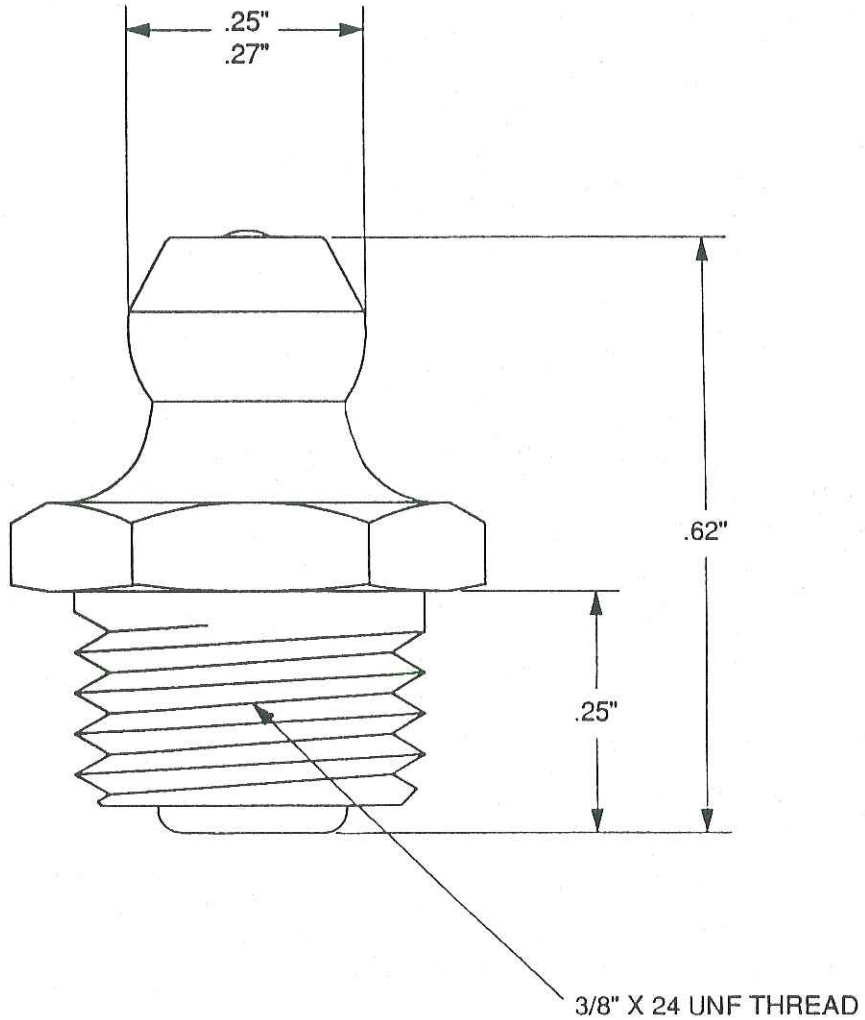


AMERICAN

LUBRICATION EQUIPMENT CORPORATION



ACTUAL SIZE

DESCRIPTION 3/8" X 24 UNF STRAIGHT HYDRAULIC GREASE FITTING WITH CHECK VALVE			AMERICAN LUB. CODE No. T7505
MATERIAL 7/16" A/F HEXAGON 230 M07 Pb MILD STEEL	HEAT TREATMENT CASE HARDENED	SURFACE TREATMENT ZINC PLATED YELLOW CHROMATED	TOLERANCE ±.030" UNLESS OTHERWISE STATED
CAD DRAWING SCALE 5:1	COMPILER & DATE R.H. 12.10.92	CHECKED BY & DATE J.A.F. 14.10.92	ISSUE DATE 1. Feb. 1993