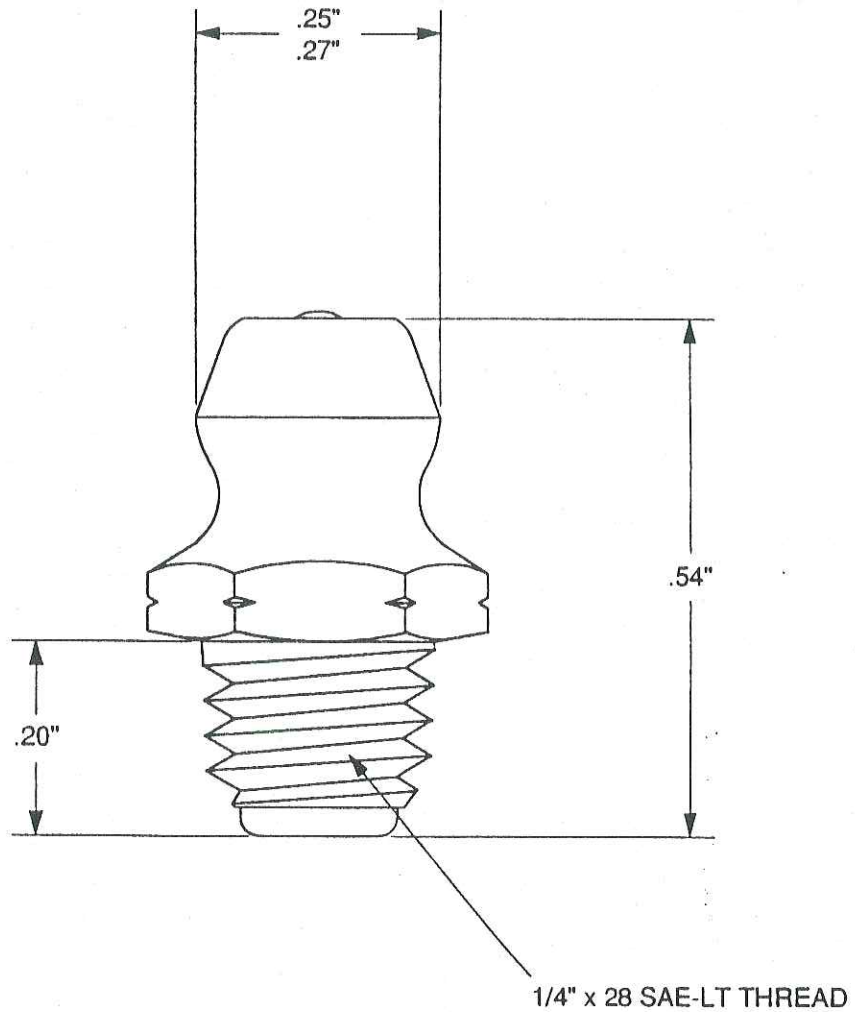


AMERICAN

LUBRICATION EQUIPMENT CORPORATION



ACTUAL SIZE

DESCRIPTION STAINLESS STEEL STRAIGHT HYDRAULIC GREASE FITTING WITH CHECK VALVE		AMERICAN LUB. CODE No. T7800	
MATERIAL BODY- 5/16" A/F HEXAGON 303 STAINLESS STEEL BALL- 2.5mm DIA. 440 GRADE STAINLESS STEEL SPRING- 0.45mm DIA. 302 STAINLESS STEEL			
HEAT TREATMENT N/A		SURFACE TREATMENT N/A	
TOLERANCE ±.030" UNLESS OTHERWISE STATED		ISSUE DATE 1.10.1992	
CAD DRAWING SCALE 5:1	COMPILER & DATE R.H. 29.10.92	CHECKED BY & DATE J.A.F. 29.10.92	