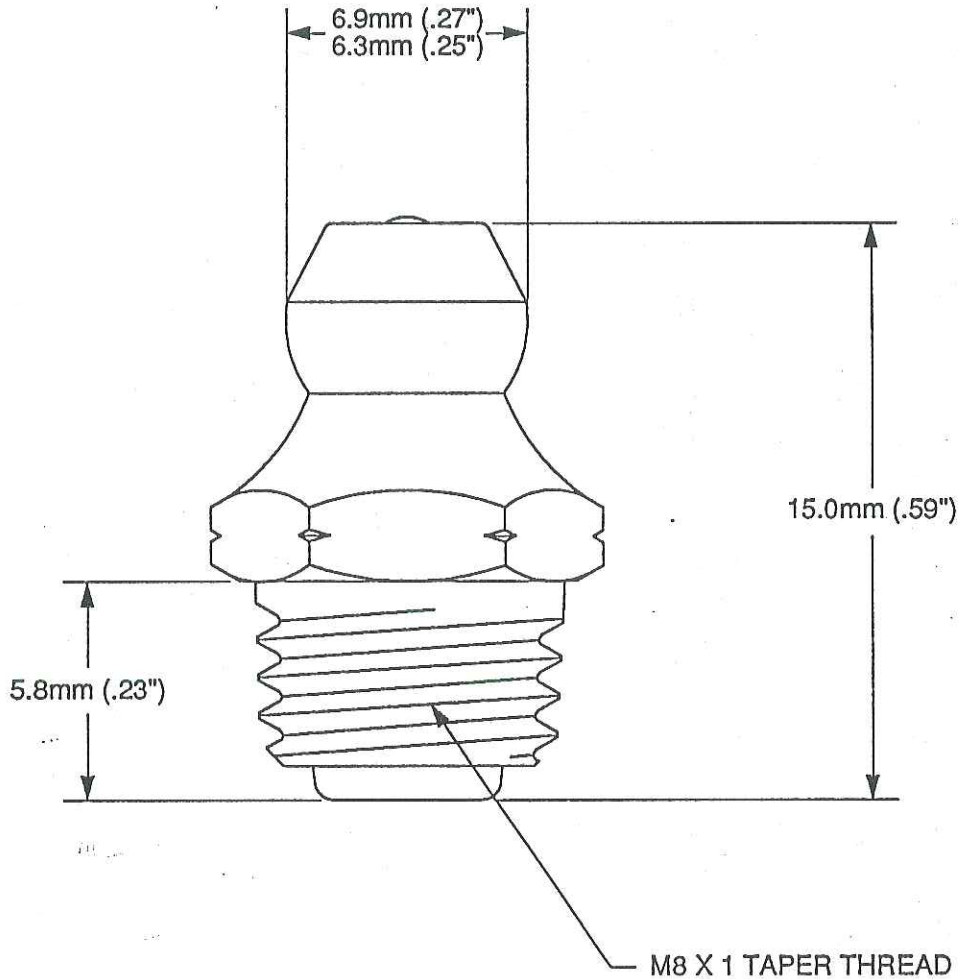


AMERICAN

LUBRICATION EQUIPMENT CORPORATION



ACTUAL SIZE

DESCRIPTION: M8 X 1 TAPER, STAINLESS STEEL STRAIGHT HYDRAULIC GREASE FITTING		AMERICAN LUB. CODE No. T7805	
MATERIAL: BODY- 9mm A/F HEX. AUSTENITIC 303 STAINLESS STEEL SPRING- AUSTENITIC 302 STAINLESS STEEL		BALL- MARTENSITIC 440 STAINLESS STEEL	
HEAT TREATMENT: N/A	SURFACE TREATMENT: N/A	TOLERANCES: SHANK LENGTH: $\pm 0.8\text{mm}$ (.03") OTHER: $\pm 1.0\text{mm}$ (.04") UNLESS STATED	
CAD DRAWING SCALE 5:1	COMPILER & DATE: R.H. 27.10.92	CHECKED BY & DATE: A.B. 19.04.93	ISSUE DATE: 22. Apr. 1993