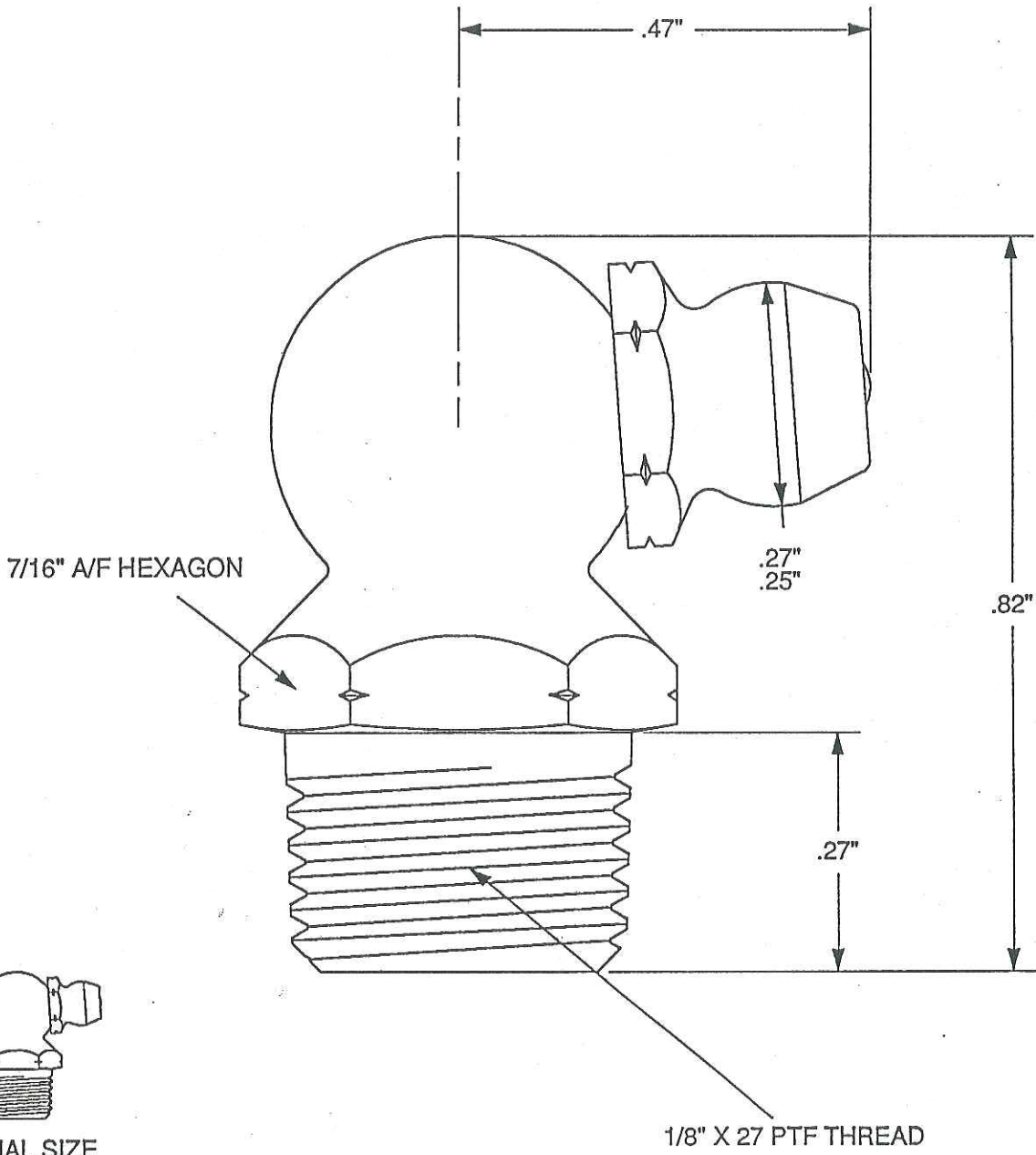


# AMERICAN

LUBRICATION EQUIPMENT CORPORATION



**DESCRIPTION:** 1/8" X 27 PTF SPECIAL SHORT, STAINLESS STEEL  
90° ANGLE HYDRAULIC GREASE FITTING

AMERICAN LUB. CODE No. **T7814**

**MATERIAL:** BODY & HEAD - AUSTENITIC 303 STAINLESS STEEL BALL - MARTENSITIC 440 STAINLESS STEEL  
SPRING - AUSTENITIC 302 STAINLESS STEEL

**HEAT TREATMENT:**

N/A

**PLATING:**

N/A

**TOLERANCES:**

SHANK LENGTH: ±.03"

OTHER: ±.04" UNLESS STATED

CAD  
DRAWING  
SCALE

5:1

**COMPILER & DATE:**

R.H.  
14.04.93

**CHECKED BY & DATE:**

A.B.  
20.04.93

**ISSUE DATE:**

22. APR. 1993