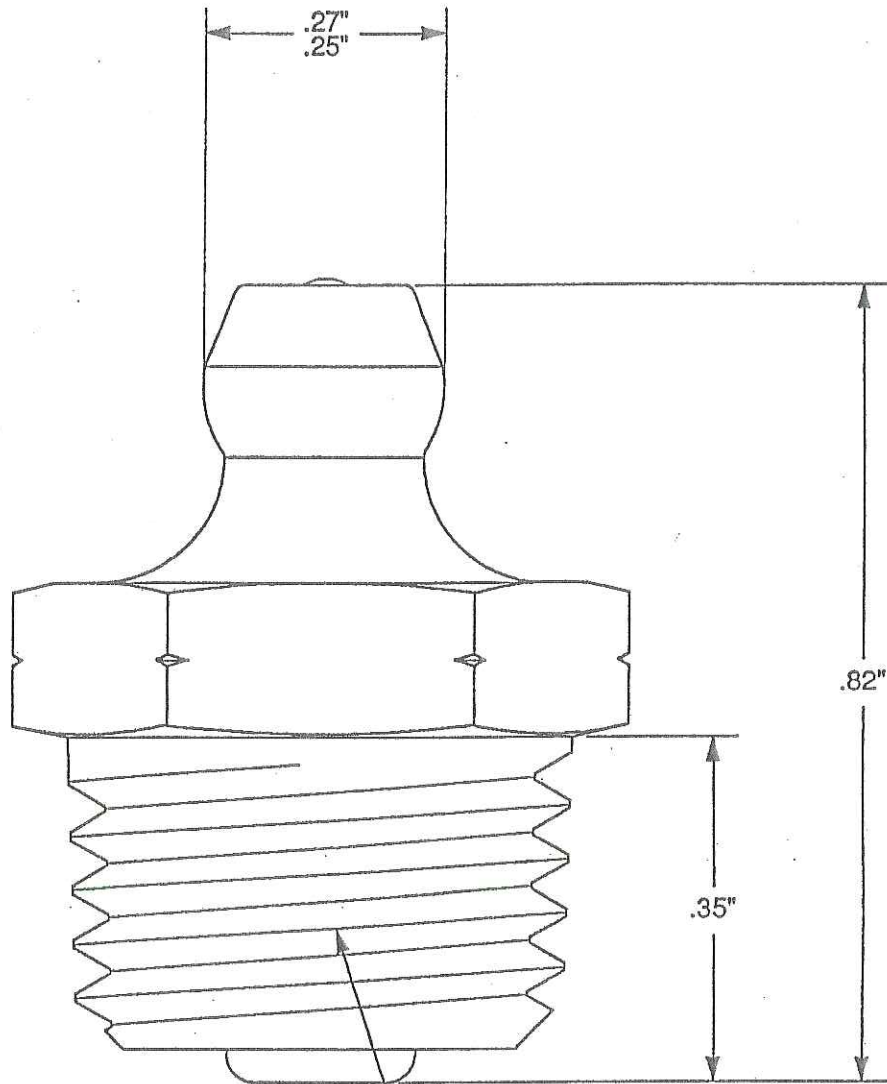
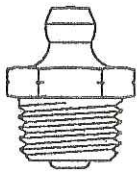


AMERICAN

LUBRICATION EQUIPMENT CORPORATION



1/4" X 18 PTF SPECIAL EXTRA SHORT TAPER THREAD



ACTUAL SIZE

DESCRIPTION	1/4" X 18 SPECIAL EXTRA SHORT, STAINLESS STEEL STRAIGHT HYDRAULIC GREASE FITTING	777-1401	AMERICAN LUB. CODE No. T7815
MATERIAL:	BODY- 14mm A/F HEX. AUSTENITIC 303 STAINLESS STEEL BALL- MARTENSITIC 440 STAINLESS STEEL SPRING - AUSTENITIC 302 STAINLESS STEEL		
HEAT TREATMENT:	PLATING:	TOLERANCES:	
N/A	N/A	SHANK LENGTH: ±.03" OTHER: ±.04" UNLESS STATED	
CAD DRAWING SCALE	COMPILER & DATE:	CHECKED BY & DATE:	ISSUE DATE:
5:1	R.H. 29.10.92	A.B. 19.04.93	22 APR. 1993