

WARNING

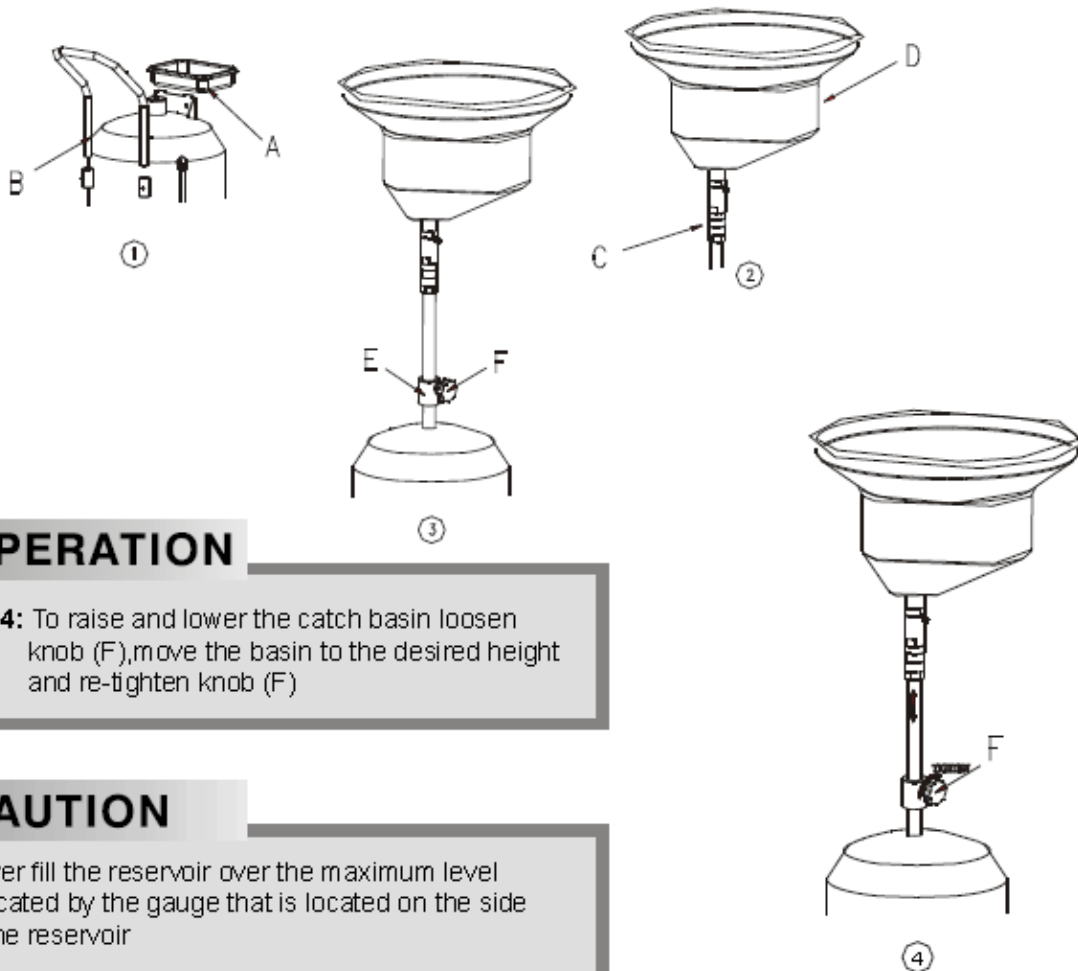
- For waste oil use only.
- Do not expose the reservoir to any source of heat.
- While extracting high temperature oils, keep hands and face protected.
- Only use the device for the purpose for which it has been designed.
- Do not modify any component of the equipment.
- Only use original spare parts.
- Contract American lubrication if you need any additional information.

ASSEMBLY

Fig.1: Insert the handle (B) into its seat and secure it with the screws provided
Position the tool tray (A).

Fig.2: Attach drain tube (C) to drain bowl (D) and lock into place by tightening the hex nut.

Fig.3: Using a suitable wrench, connect the assembly from step 2 to the reservoir tank by tightening the collar (E).



OPERATION

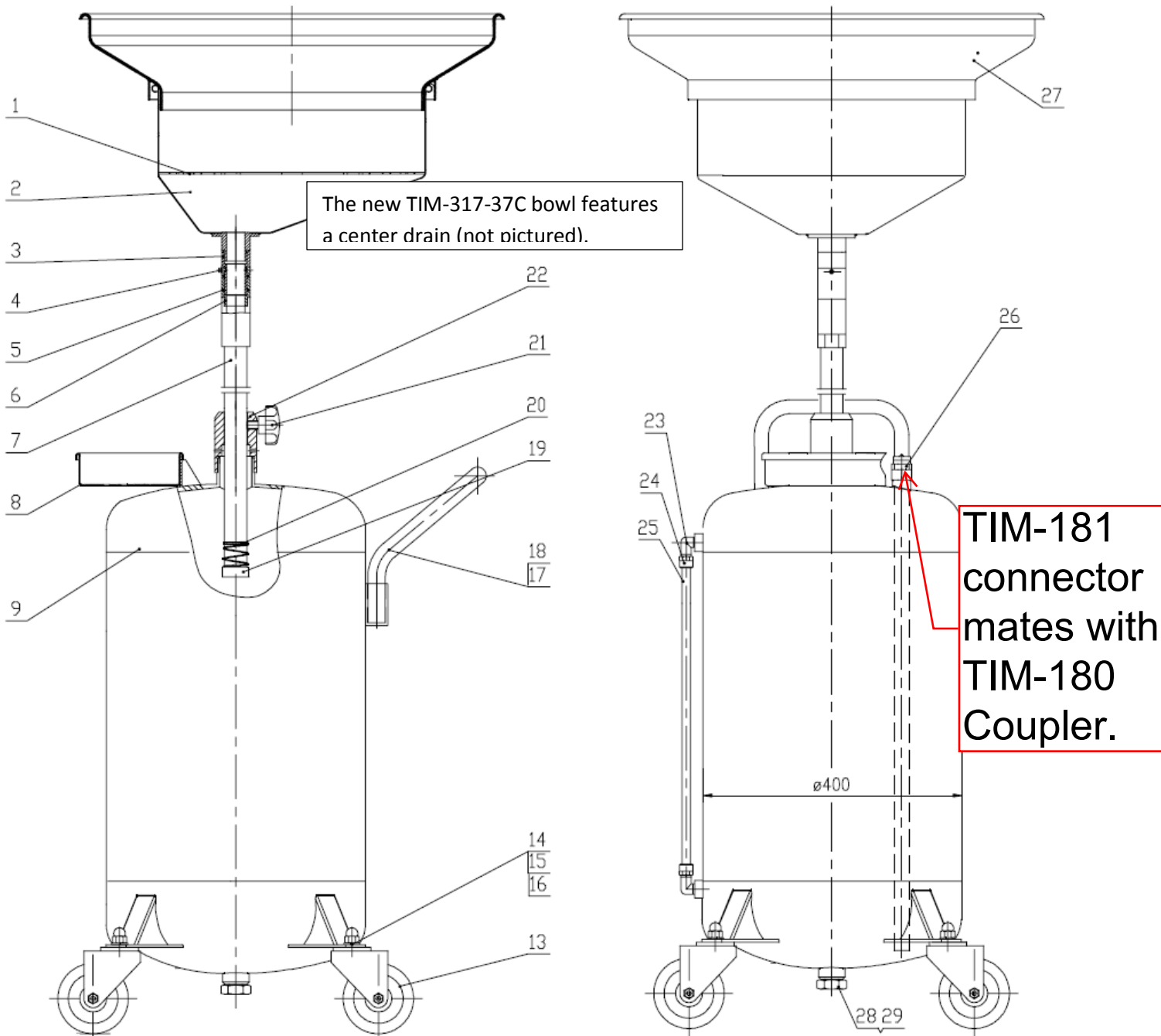
Fig.4: To raise and lower the catch basin loosen knob (F), move the basin to the desired height and re-tighten knob (F)

CAUTION

Never fill the reservoir over the maximum level indicated by the gauge that is located on the side of the reservoir

TIM-315-COMP2 Waste Oil Drain Manual

| # | QTY | Description | Part No. | # | QTY | Description | Part No. |
|----|-------------------------------|---|-------------|---------|-----|--|--------------|
| 1 | 1 | Filter | TIM-317-38 | 17 | 1 | Handle | TIM-317-20 |
| 2 | 1 | Bowl/Funnel | TIM-317-37C | 18 | 2 | Screw | TIM-317-17 |
| 3 | 1 | Rotor/Swivel | TIM-317-36 | 19 | 1 | Nut | TIM-317-30 |
| 4 | 1 | Set Screw | TIM-317-34 | 20 | 1 | Spring | TIM-317-29 |
| 5 | 2 | O-Ring sold as pair | TIM-317-35H | 21 | 1 | Knob | TIM-317-26 |
| 6 | 1 | Adapter (Tube to swivel) | TIM-315-6 | 22 | 1 | Seat | TIM-315-22 |
| 7 | 1 | Tube | TIM-317-31 | 23 | 2 | Elbow sold as pair | TIM-317-7 |
| 8 | 1 | Tool Tray | TIM-317-24 | 24 | 2 | Nut sold as pair | TIM-317-8 |
| 9 | Tank (Not sold as piece part) | | | 25 | 1 | Tube with Label | TIM-317-9 |
| 13 | 4 | Wheel sold as pair | Tim-317-4 | 26 | 1 | Connector | TIM-181 |
| 14 | 4 | Acorn Nut | Tim-317-6 | 27 | 1 | Funnel Extender | TIM-317-39 |
| 15 | 4 | Plain Washer | TIM-317-5 | 28 & 29 | 1 | Kit: (1) O-ring & (1) Nut | TIM-317-PLUG |
| 16 | 4 | Spring Washer | Tim-317-41 | | | | |

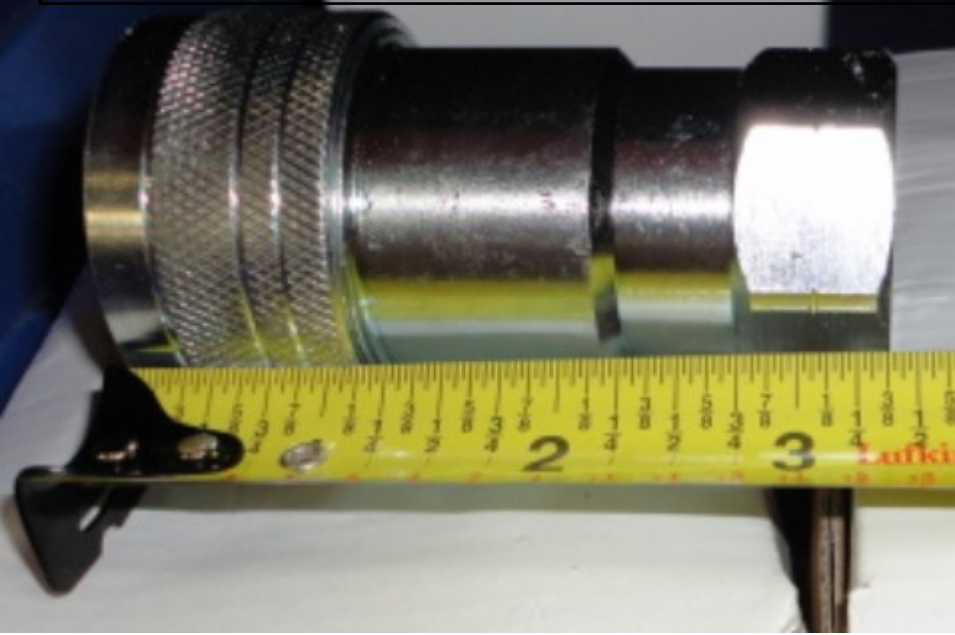




Fluid coupler (Female), part number:
TIM-180 has 3/4" NPT female
threads.



Part number: TIM-180 has 3/4" NPT female threads.



**Fluid Connector
(Male), part number:
TIM-181 has 3/4"
NPT female threads.**



Fluid connector (Male), part number: TIM-181 has 3/4" NPT female threads.

